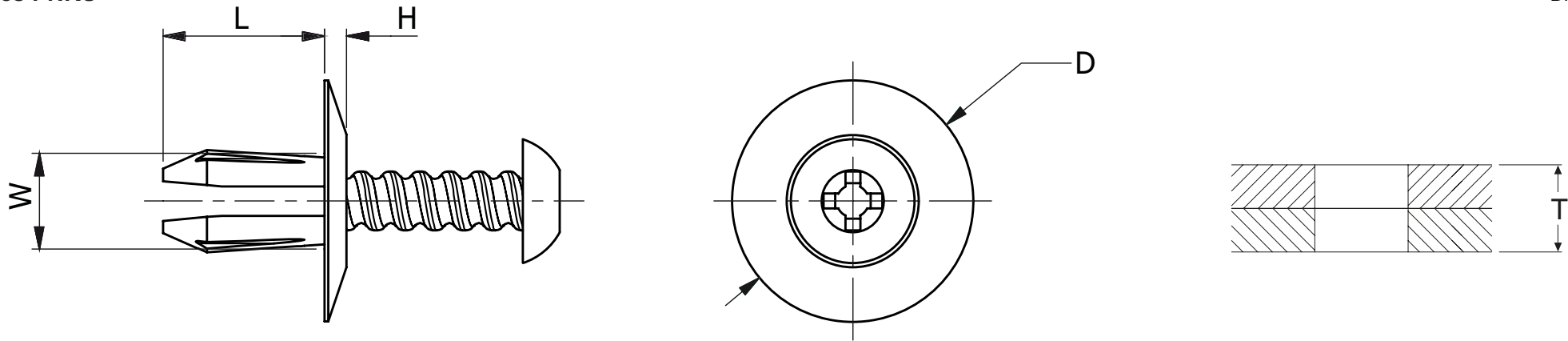


Series PNKU

Dimensions in mm



D	W	L	H	T Panel Thickness
15.1	6.4	12.7	3.0	3.2-4.4