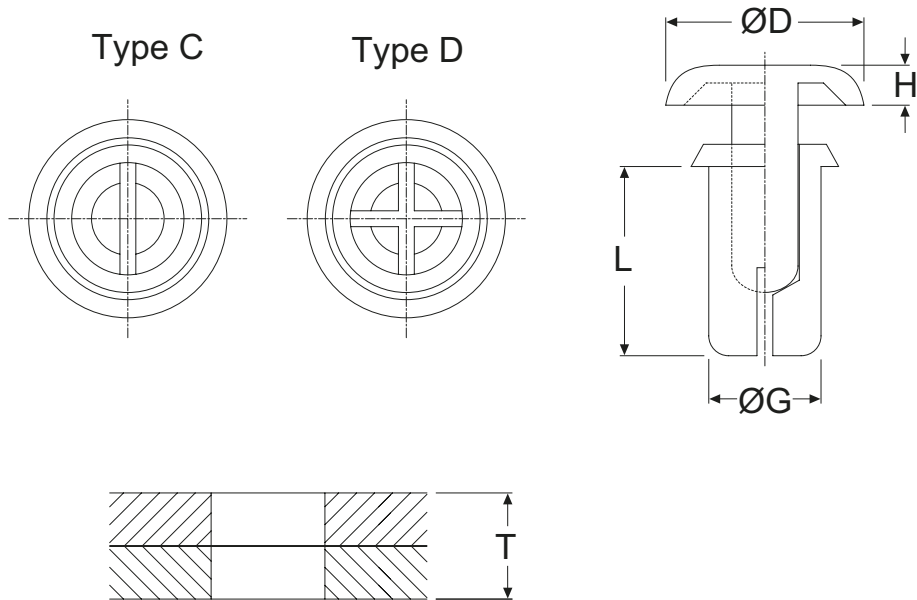


**Series PNKP**

Dimensions in mm



Article	$\varnothing G$	T	$\varnothing D$	H	L	Type
PNK P 3045	3.1	1.5-2.5	6.4	1.6	4.5	C
PNK P 3055	3.1	2.5-3.5	6.4	1.6	5.6	C
PNK P 4065	4.1	3.5-4.5	7.0	2.0	6.6	D*

\*cylindrical head shape