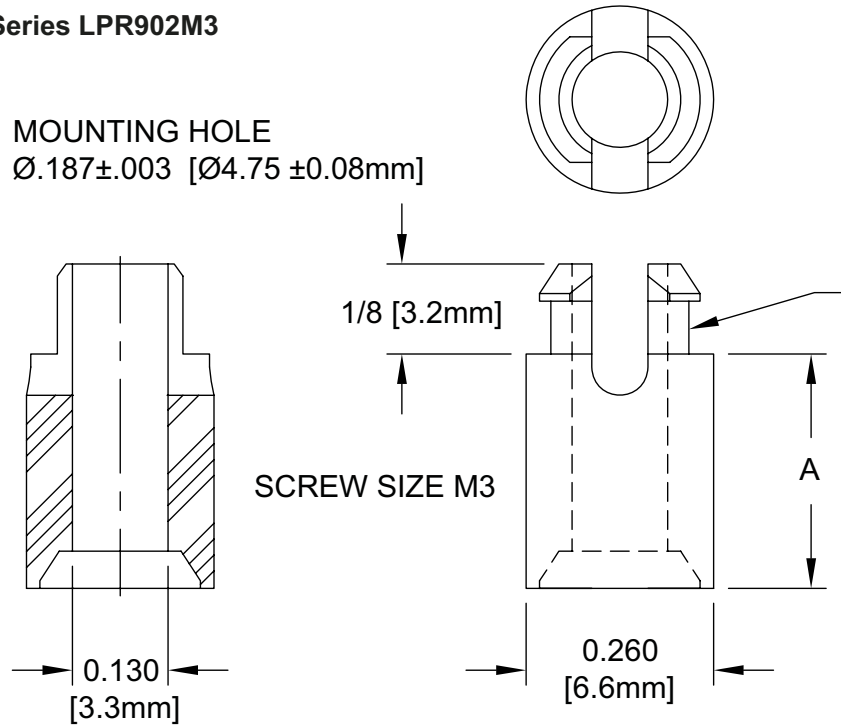


**Series LPR902M3**

**MOUNTING HOLE**  
 $\varnothing.187 \pm .003$  [ $\varnothing 4.75 \pm 0.08 \text{mm}$ ]



Dimensions in inch (mm)

| <b>Article</b> | <b>A</b><br>$\pm.015$ (0.4) |
|----------------|-----------------------------|
| LRP 9020-M3    | 1/8 (3.2)                   |
| LRP 9021-M3    | 3/16 (4.8)                  |
| LRP 9022-M3    | 1/4 (6.4)                   |
| LPR 9026-M3    | 5/16 (7.9)                  |
| LRP 9023-M3    | 3/8 (9.5)                   |
| LRP 9027-M3    | 7/16 (11.1)                 |
| LRP 9024-M3    | 1/2 (12.7)                  |
| LRP 9025-M3    | 5/8 (15.9)                  |