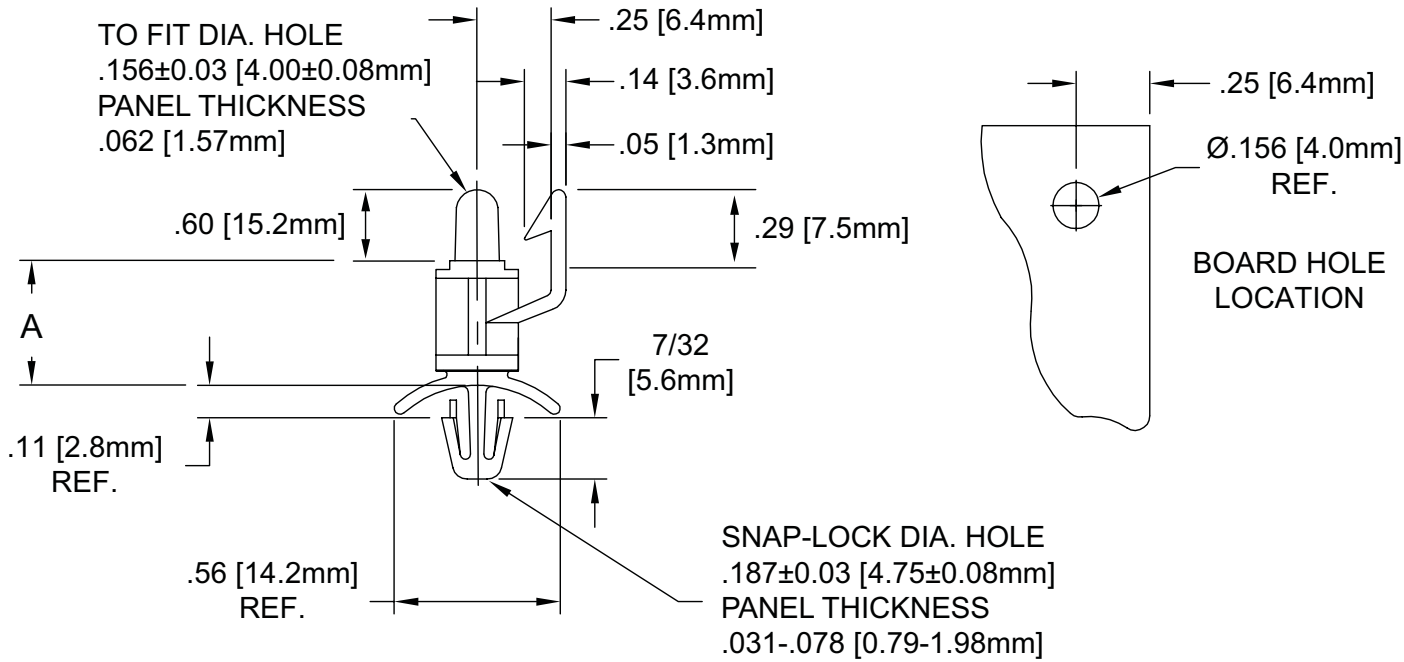


Dimensions in inch (mm)

Series LPR885



Article	A ±.015 (±0.4)
LPR 8850	1/4 (6.4)
LPR 8851	5/16 (7.9)
LPR 8852	3/8 (9.5)
LPR 8853	1/2 (12.7)
LPR 8854	5/8 (15.9)
LPR 8855	3/4 (19.1)
LPR 8856	7/8 (22.2)
LPR 8857	1 (25.4)