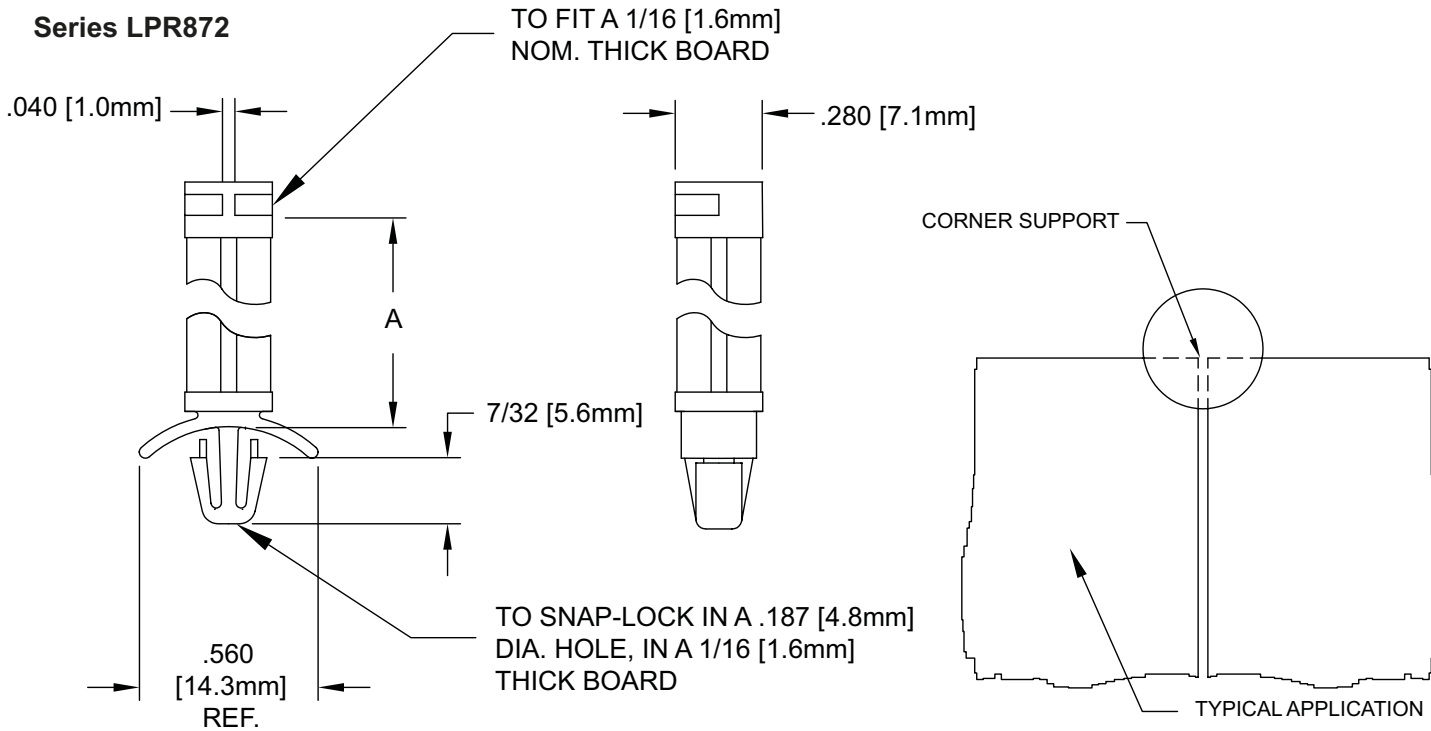


Dimensions in inch (mm)

Series LPR872



| Article | A ±.015 (±0.4) |
|----------|-------------------|
| LPR 8721 | 3/16 (4.8) |
| LPR 8722 | 1/4 (6.4) |
| LPR 8723 | 3/8 (9.5) |
| LPR 8724 | 1/2 (12.7) |
| LPR 8725 | 5/8 (15.9) |
| LPR 8726 | 3/4 (19.1) |
| LPR 8727 | 7/8 (22.2) |