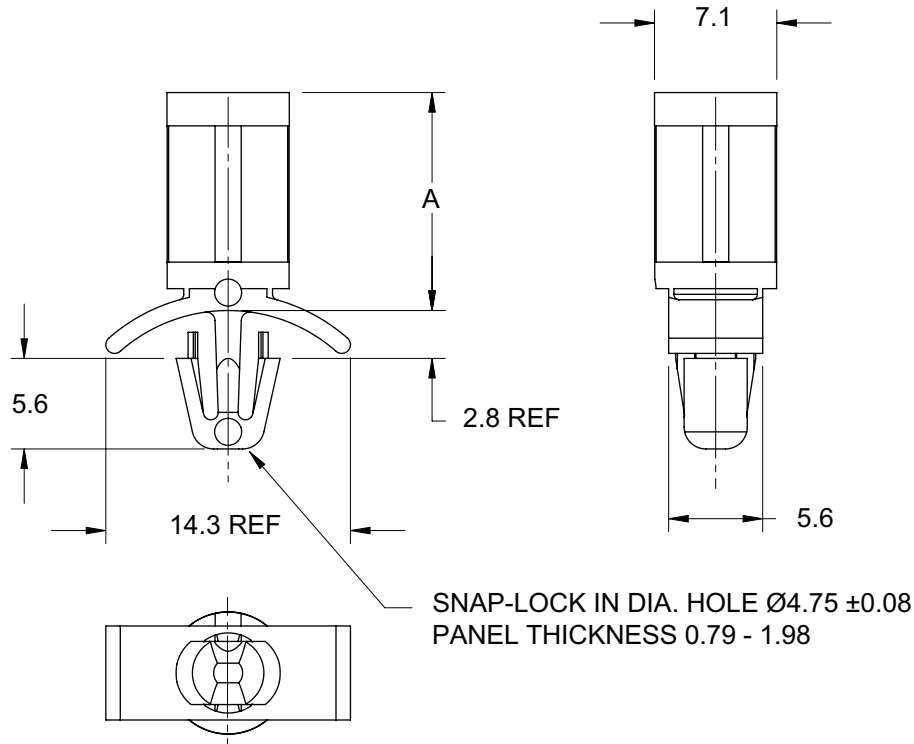


Series LPR870



Article	A $\pm 0.4$
LPR 8701	4.8
LPR 8702	6.4
LPR 8703	9.5
LPR 8708	11.1
LPR 8705	12.7
LPR 8709	14.3
LPR 8706	15.9
LPR 8707	19.1
LPR 8710	22.2

Dimensions in mm