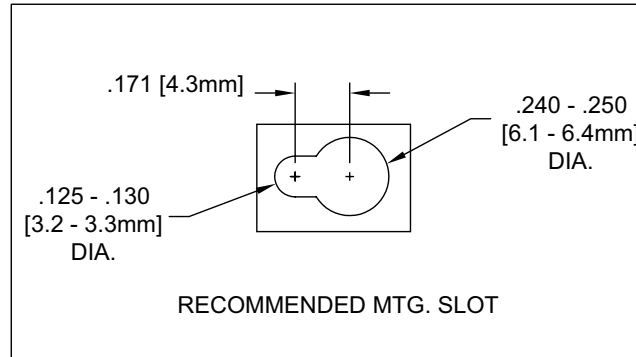
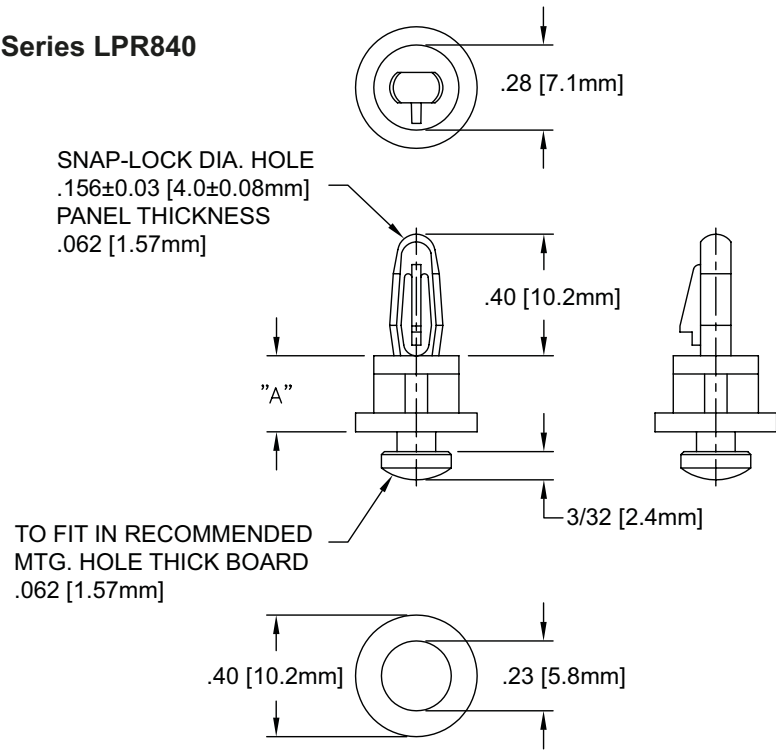


Dimensions in inch (mm)

Series LPR840



Article	A ±.015 (±0.4)
LPR 8401	1/2 (3.2)
LPR 8402	1/4 (6.4)
LPR 8403	3/8 (9.5)
LPR 8404	1/2 (12.7)