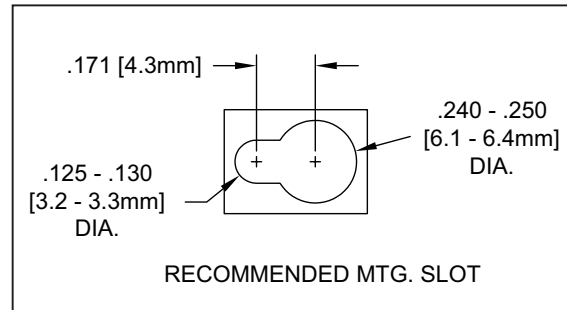
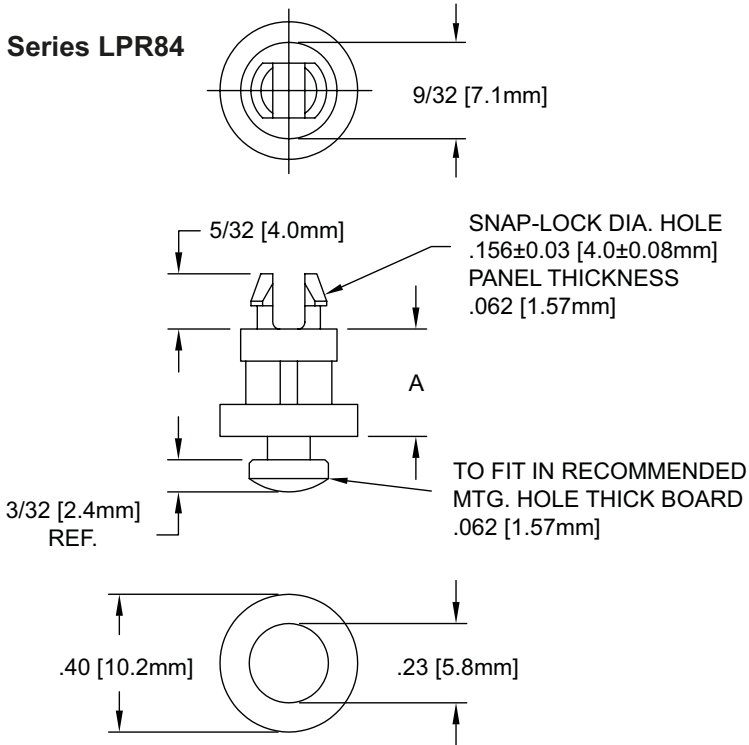


Dimensions in inch (mm)



Article	A ±.015 (±0.4)
LPR 8452	3/16 (4.8)
LPR 8453	1/4 (6.4)
LPR 8455	3/8 (9.5)
LPR 8457	1/2 (12.7)
LPR 8459	5/8 (15.9)
LPR 8454	3/4 (19.1)
LPR 8456	7/8 (22.2)
LPR 8462	1 (25.4)