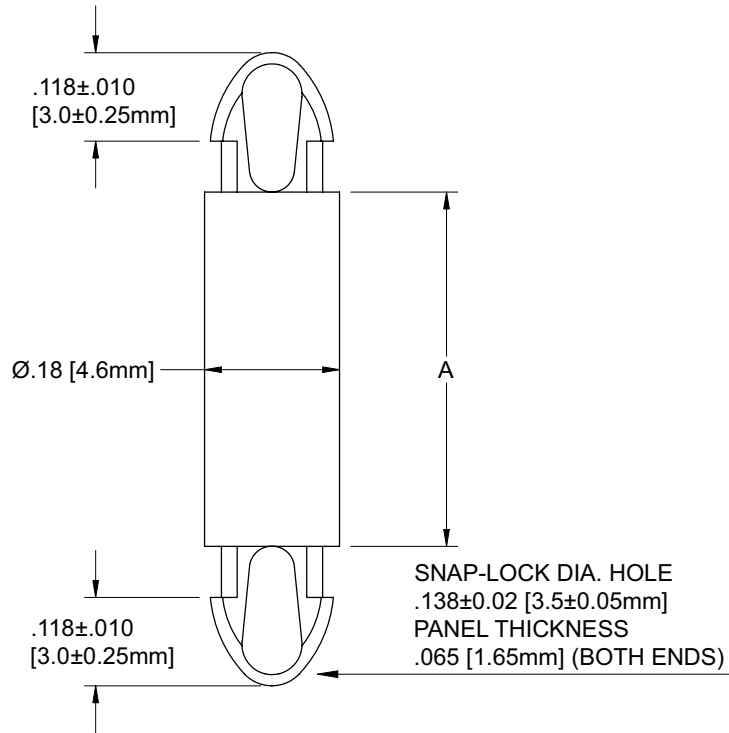


Dimensions in inch (mm)

Series LPR83M2



Article	A $\pm .015$ (± 0.4)
LPR 8310-MINI-M-TYP 2	.079 [2mm]
LPR 8322-MINI-M-TYP 2	.118 [3 2mm]
LPR 8311-MINI-M-TYP 2	.156 [4 2mm]
LPR 8321-MINI-M-TYP 2	.197 [5 2mm]
LPR 8312-MINI-M-TYP2	.236 [6 2mm]
LPR 8323-MINI-M-TYP 2	.276 [7 2mm]
LPR 8313-MINI-M-TYP 2	.315 [8 2mm]
LPR 8324-MINI-M-TYP 2	.354 [9 2mm]
LPR 8314-MINI-M-TYP 2	.394 [10 2mm]
LPR 8315-MINI-M-TYP 2	.472 [12 2mm]
LPR 8316-MINI-M-TYP 2	.551 [14 2mm]
LPR 8317 MINI-M-TYP 2	.630 [16 2mm]
LPR 8318 MINI-M-TYP 2	.709 [18 2mm]
LPR 8319 MINI-M-TYP 2	.787 [20 2mm]
LPR 8320 MINI-M-TYP 2	.866 [22 2mm]