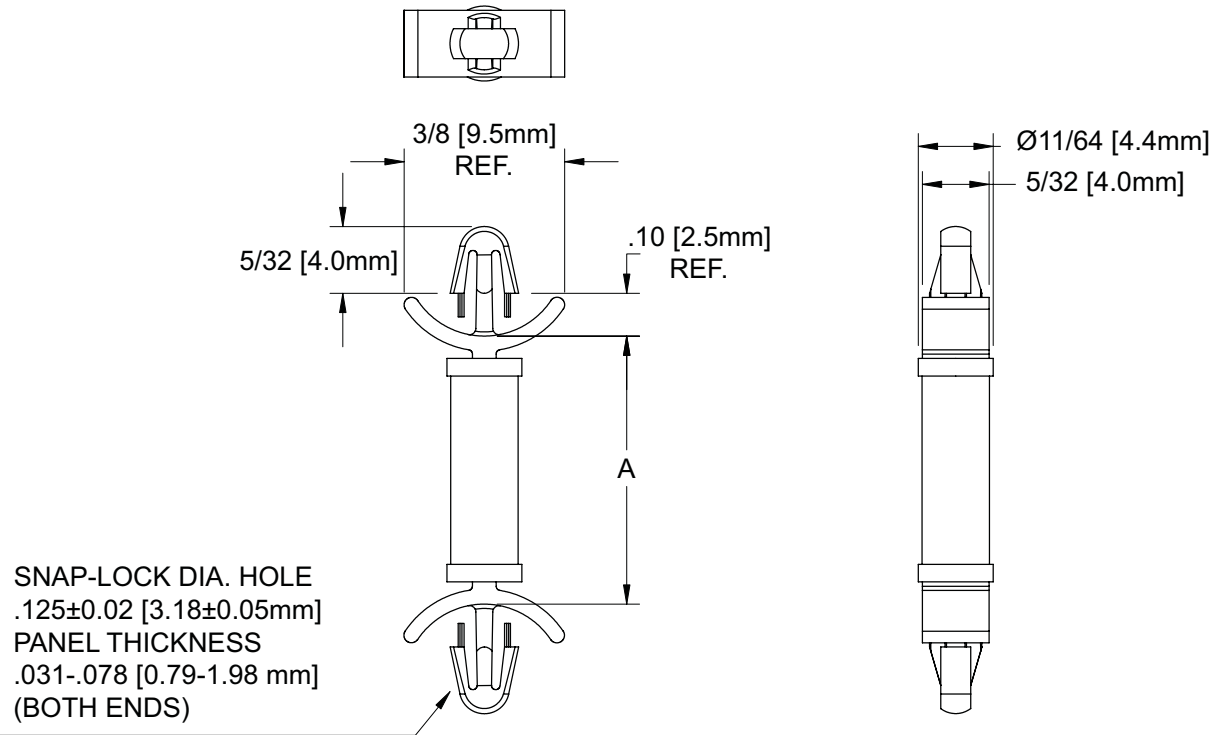


**Series LPR820M**

Dimensions in inch (mm)



Article	A ±.015 (±0.4)
LPR 8201-MINI	3/16 (4.8)
LPR 8202-MINI	1/4 (6.4)
LPR 8206-MINI	5/16 (7.9)
LPR 8203-MINI	3/8 (9.5)
LPR 8207-MINI	7/16 (11.1)
LPR 8204-MINI	1/2 (12.7)
LPR 8208-MINI	9/16 (14.3)
LPR 8205-MINI	5/8 (15.9)