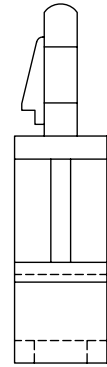
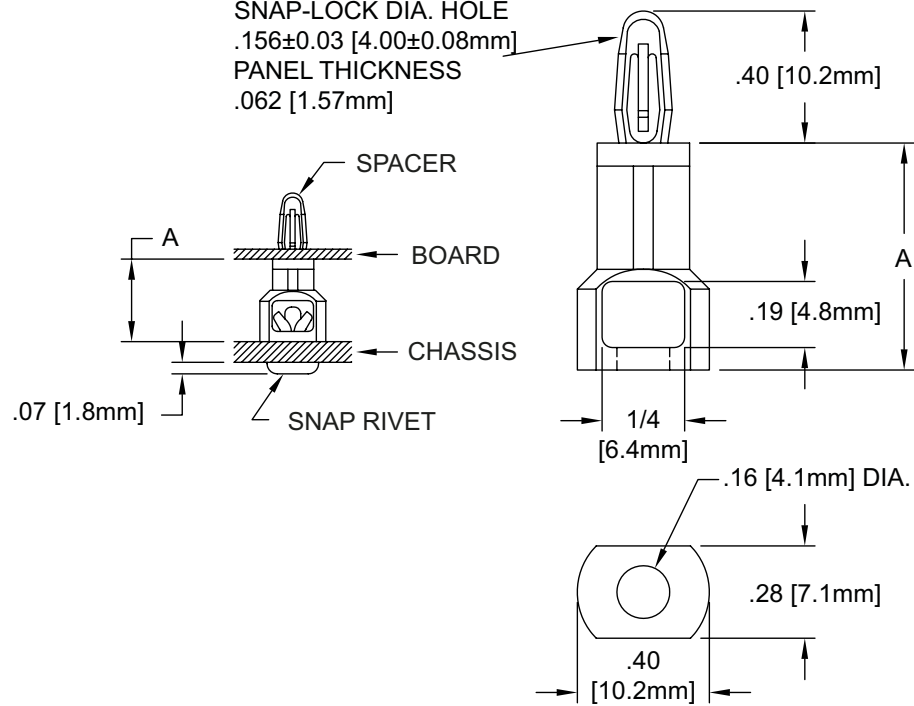


Dimensions in inch (mm)

**Series LPR810**

SNAP-LOCK DIA. HOLE  
 .156±0.03 [4.00±0.08mm]  
 PANEL THICKNESS  
 .062 [1.57mm]



**SPACER**

Article	A ±.015 (±0.4)
LPR 8103-N	3/8 (9.5)
LPR 8109-N	7/16 (11.1)
LPR 8104-N	1/2 (12.7)
LPR 8105 N	5/8 (15.9)
LPR 8106-N	3/4 (19.1)
LPR 8107-N	7/8 (22.2)
LPR 8108-N	1 (25.4)

**RIVET**

Article	PANEL THICKN.
PNK1	.026-.062 (0.7-1.6)
PNK2	.062-.105 (1.5-2.7)
PNK3	.105-.145 (2.7-3.7)
PNK4	.145-.184 (3.7-4.7)
PNK4,7	.184-.223 (4.7-5.7)
PNK5	.223-.263 (5.7-6.7)
PNK6	.282-.341 (7.2-8.7)