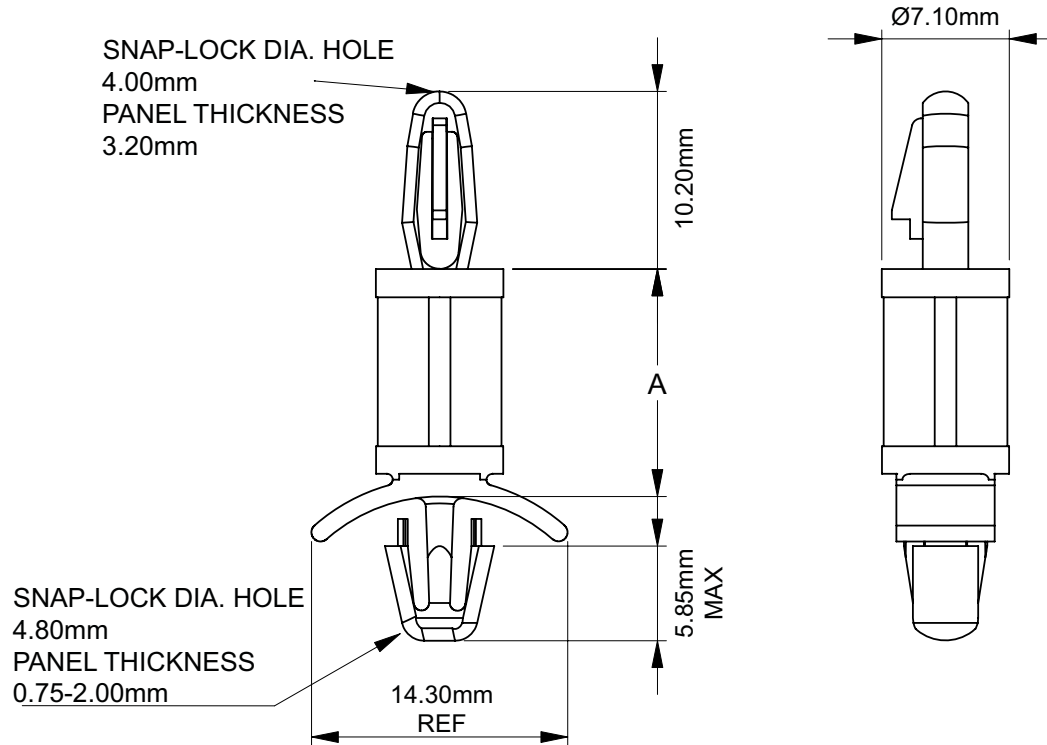


**Series LPR80N3**



| Article        | A<br>±0.4 |
|----------------|-----------|
| LPR 8001-TYP 3 | 4.8 mm    |
| LPR 8002-TYP 3 | 6.4 mm    |
| LPR 8012-TYP 3 | 7.9 mm    |
| LPR 8003-TYP 3 | 9.5 mm    |
| LPR 8013-TYP 3 | 11.1 mm   |
| LPR 8004-TYP 3 | 12.7 mm   |
| LPR 8014-TYP 3 | 14.3 mm   |
| LPR 8005-TYP 3 | 15.9 mm   |
| LPR 8006-TYP 3 | 19.1 mm   |
| LPR 8007-TYP 3 | 22.2 mm   |
| LPR 8008-TYP 3 | 25.4 mm   |
| LPR 8009-TYP 3 | 28.6 mm   |
| LPR 8010-TYP 3 | 31.8 mm   |
| LPR 8011-TYP 3 | 34.9 mm   |

Dimensions in mm