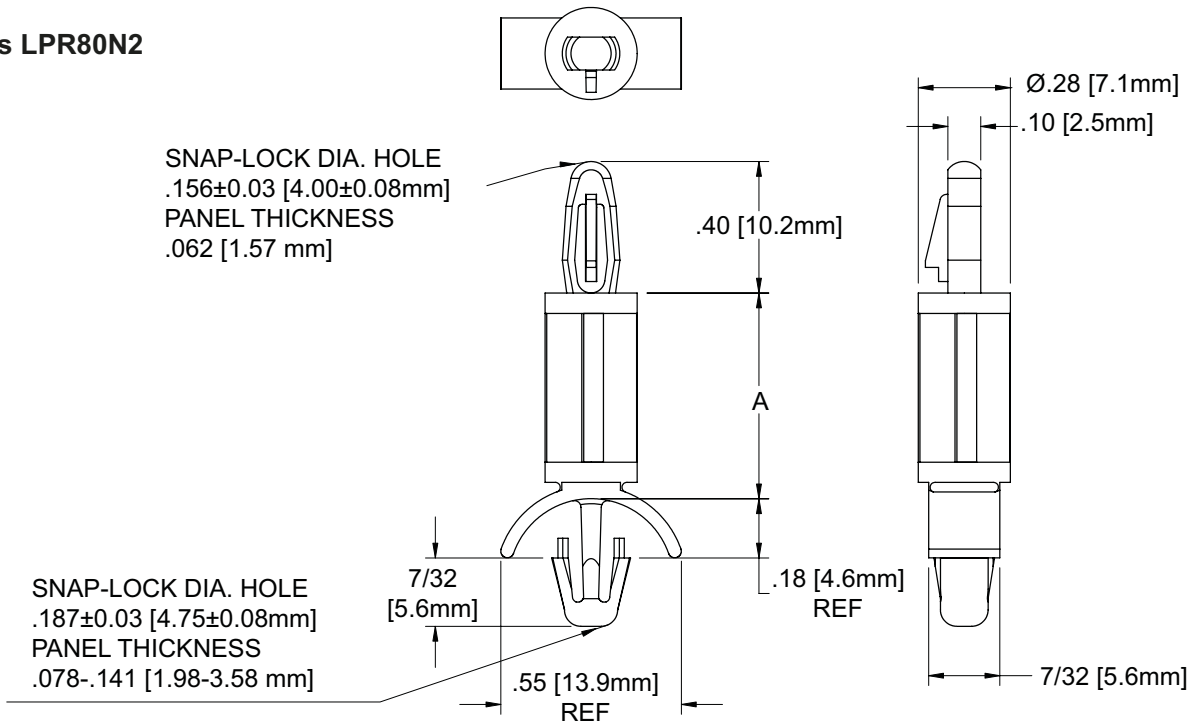


Dimensions in inch (mm)

Series LPR80N2



Article	A ±.015 (0.4)
LPR 8012-TYP 2	1/8 [3.2]
LPR 8001-TYP 2	3/16 [4.8]
LPR 8002-TYP 2	1/4 [6.4]
LPR 8013-TYP 2	5/16 [7.9]
LPR 8003-TYP 2	3/8 [9.5]
LPR 8014-TYP 2	7/16 [11.1]
LPR 8004-TYP 2	1/2 [12.7]
LPR 8015-TYP 2	9/16 [14.3]
LPR 8005-TYP 2	5/8 [15.9]
LPR 8006-TYP 2	3/4 [19.1]
LPR 8007-TYP 2	7/8 [22.2]
LPR 8008-TYP 2	1.0 [25.4]
LPR 8009-TYP 2	1-1/8 [28.6]
LPR 8010-TYP 2	1-1/4 [31.7]
LPR 8011-TYP 2	1-3/8 [34.9]