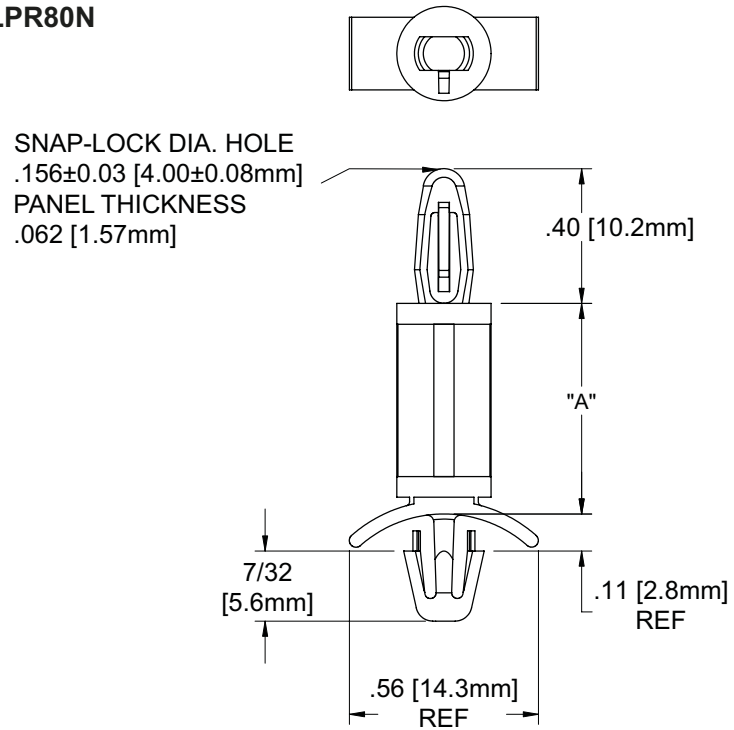
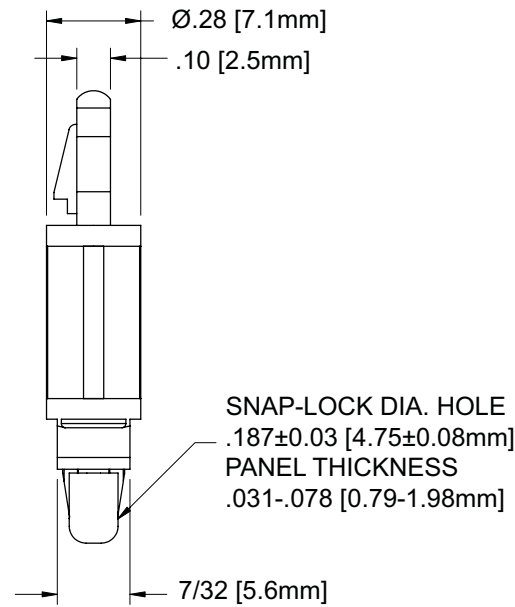


Series LPR80N



Dimensions in inch (mm)



Article	A ±.015 [±0.4]
LPR 8001-N	3/16 [4.8]
LPR 8002-N	1/4 [6.4]
LPR 8012-N	5/16 [7.9]
LPR 8003-N	3/8 [9.5]
LPR 8013-N	7/16 [11.1]
LPR 8004-N	1/2 [12.7]
LPR 8005-N	5/8 [15.9]
LPR 8006-N	3/4 [19.1]
LPR 8007-N	7/8 [22.2]
LPR 8008-N	1 [25.4]
LPR 8009-N	1-1/8 [28.6]
LPR 8010-N	1-1/4 [31.8]
LPR 8011-N	1-3/8 [34.9]