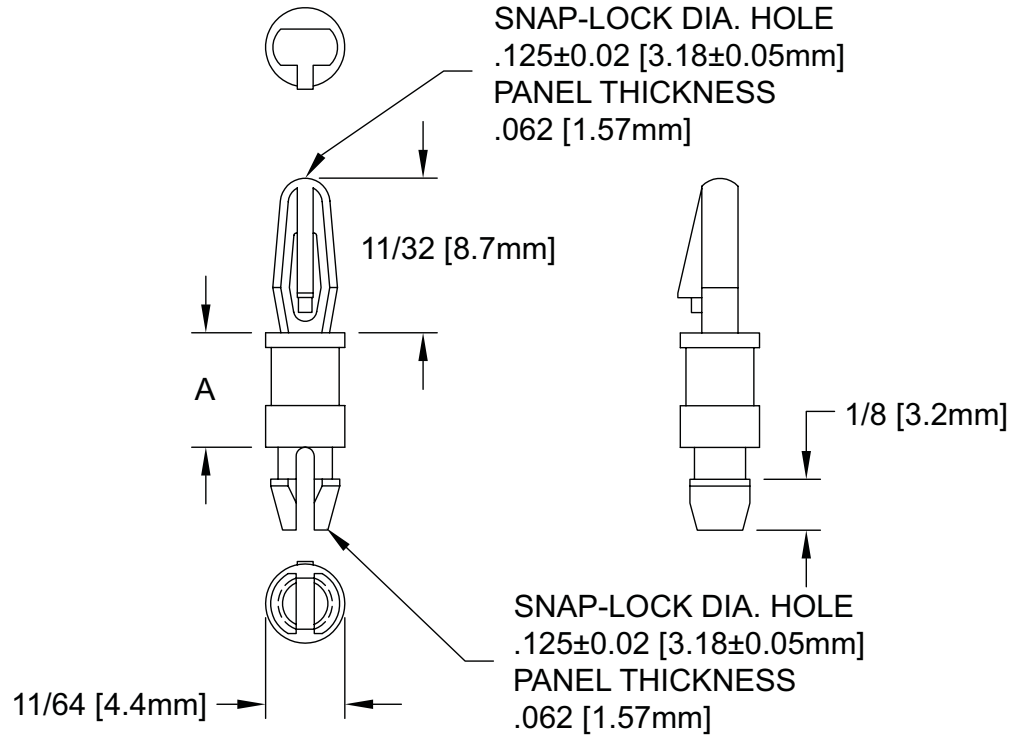


Series LPR80M70



| Article | A ±.015 (±0.4) |
|------------------|-------------------|
| LPR 8001-70-MINI | 1/8 (3.2) |
| LPR 8002-70-MINI | 3/16 (4.8) |
| LPR 8003-70-MINI | 1/4 (6.4) |
| LPR 8004-70-MINI | 5/16 (7.9) |
| LPR 8005-70-MINI | 3/8 (9.5) |
| LPR 8006-70-MINI | 7/16 (11.1) |
| LPR 8008-70-MINI | 1/2 (12.7) |
| LPR 8007-70-MINI | 9/16 (14.3) |
| LPR 8009-70-MINI | 5/8 (15.9) |
| LPR 8010-70-MINI | 3/4 (19.1) |
| LPR 8011-70-MINI | 7/8 (22.2) |

Dimensions in inch (mm)