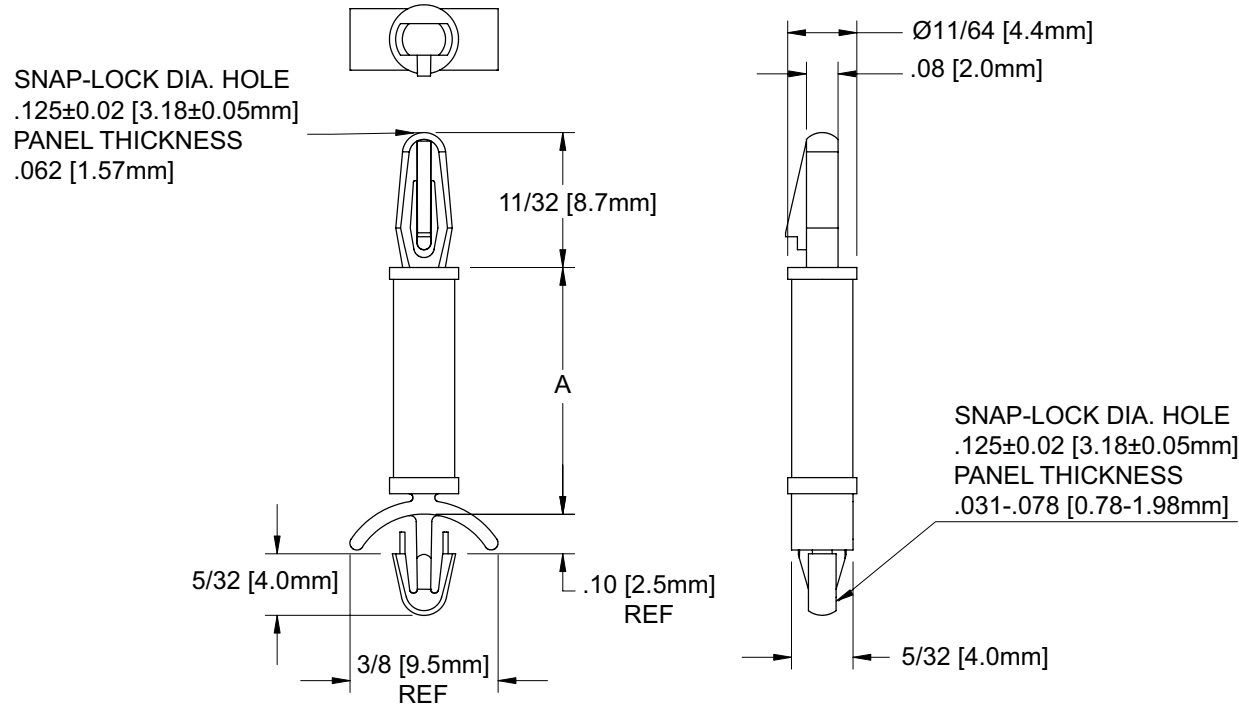


Dimensions in inch (mm)

**Series LPR800M**



Article	A ±.015 (±0.4)
LPR 8000-MINI	1/8 (3.2)
LPR 8001-MINI	3/16 (4.8)
LPR 8002-MINI	1/4 (6.4)
LPR 8007-MINI	5/16 (7.9)
LPR 8003-MINI	3/8 (9.5)
LPR 8008-MINI	7/16 (11.1)
LPR 8004-MINI	1/2 (12.7)
LPR 8006-MINI	9/16 (14.3)
LPR 8005-MINI	5/8 (15.9)