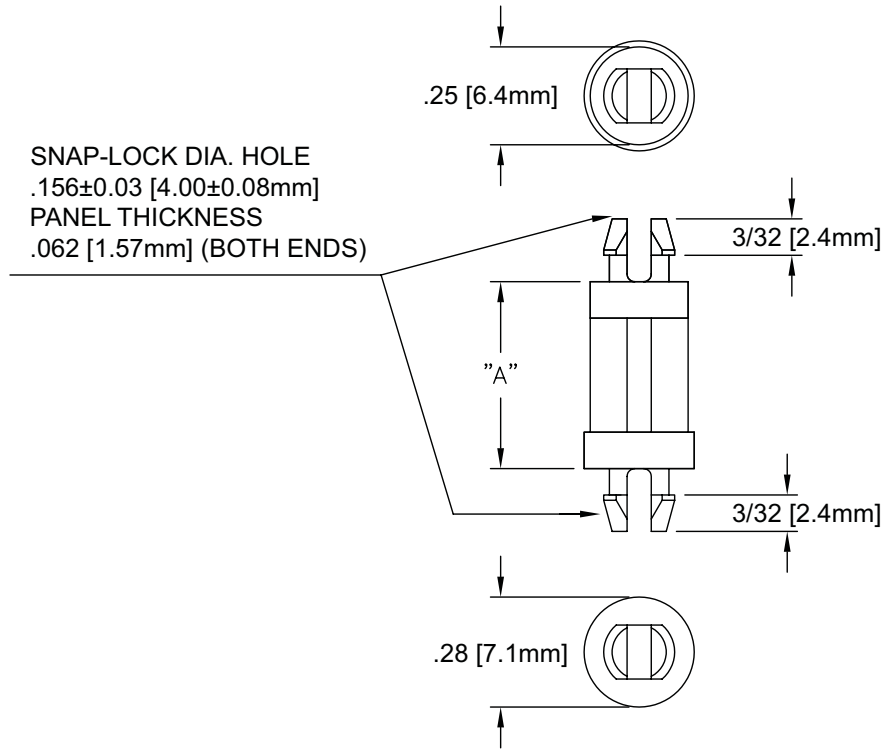


Series LPR71



Dimensions in inch (mm)

Article	A ±.015 (±0.4)
LPR 7102-1	3/16 (4.8)
LPR 7103-1	1/4 (6.4)
LPR 7105-1	3/8 (9.5)
LPR 7107-1	1/2 (12.7)
LPR 7109-1	5/8 (15.9)
LPR 7110-1	3/4 (19.1)
LPR 7111-1	7/8 (22.2)
LPR 7112-1	1 (25.4)