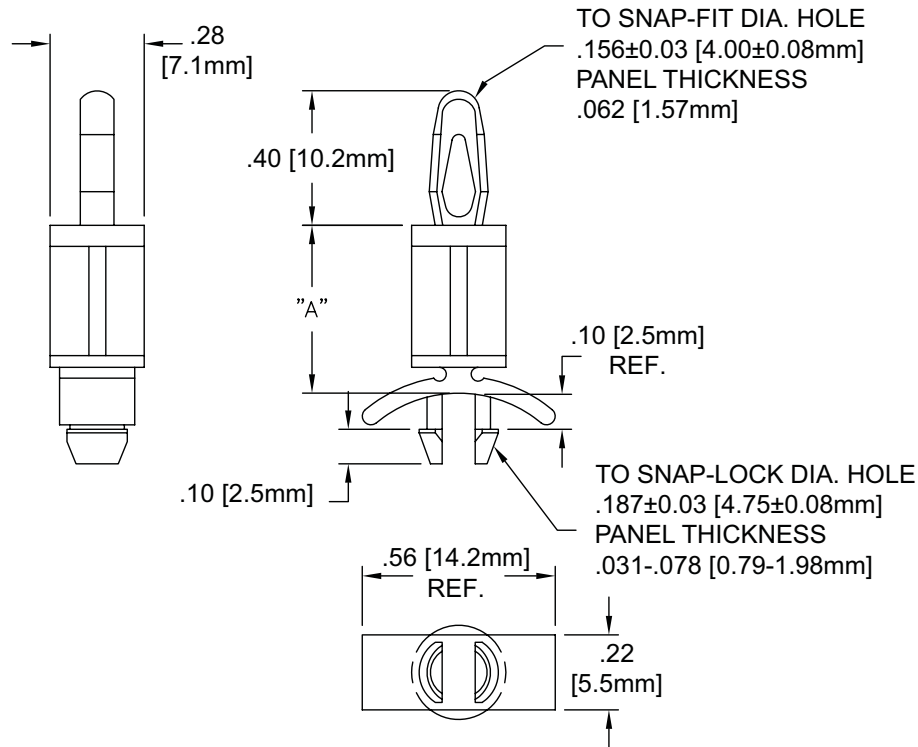


Series LPR70



Dimensions in inch (mm)

Article	A
LPR 7001	3/16 (4.8)
LPR 7002	1/4 (6.4)
LPR 7003	3/8 (9.5)
LPR 7004	1/2 (12.7)
LPR 7005	5/8 (15.9)
LPR 7006	3/4 (19.1)
LPR 7007	7/8 (22.2)