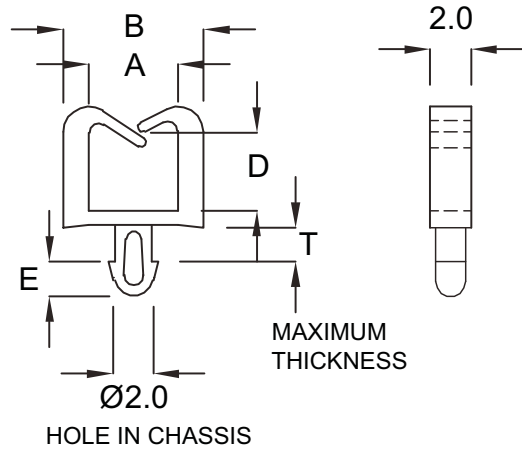


Series LPR66

Dimensions in mm

Hole mounting type



| Article | A | B | D | E | T (MAX.) |
|----------|-----|-----|------|-----|-------------|
| LPR 6600 | 4.4 | 6.9 | 4.3 | 1.9 | 1.6 |
| LPR 6601 | 5.2 | 7.7 | 7.65 | 1.9 | 1.6 |
| LPR 6602 | 3.3 | 5.7 | 4.7 | 1.9 | 1.6 |
| LPR 6603 | 3.4 | 5.8 | 3.6 | 1.8 | 1.2 |
| LPR 6604 | 4.4 | 6.9 | 3.9 | 1.9 | 2.5 |

Adhesive mounting type

