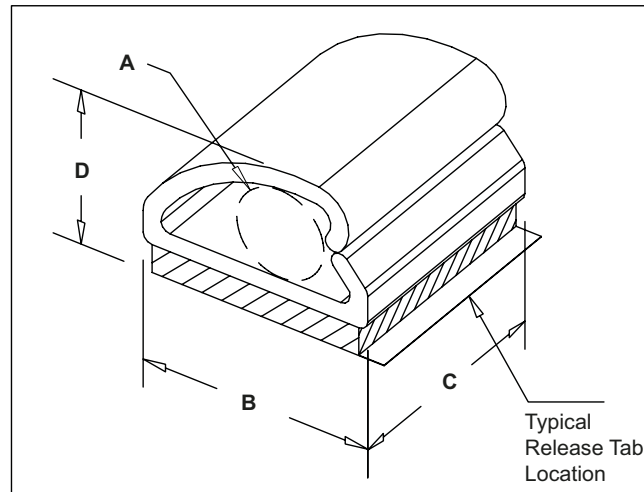
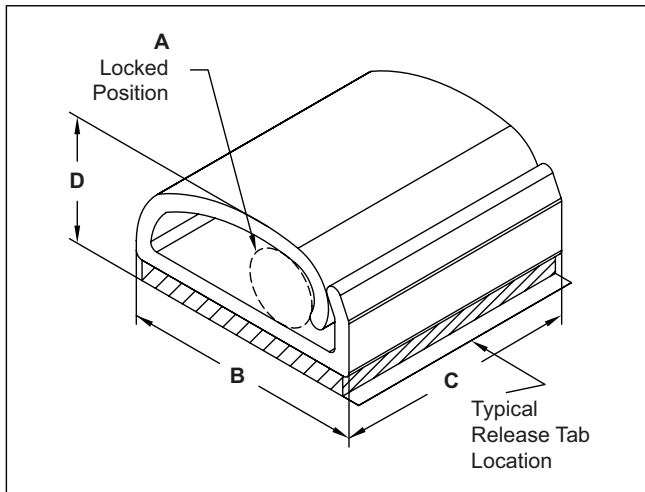


Series LPR530

Dimensions in mm

TYPE 1

TYPE 2



Type	A	B ±0.5	C ±0.5	D max. capacity ref.	Article
1	3.2	12.7	12.7	7.1	LPR 5304
1	5.6	19.1	19.1	10.9	LPR 5300
2	6.4	12.7	12.7	10.2	LPR 5305
2	12.7	19.1	19.1	18.5	LPR 5301
2	19.1	28.2	25.4	25.9	LPR 5302
2	25.4	38.1	31.8	33.0	LPR 5303