

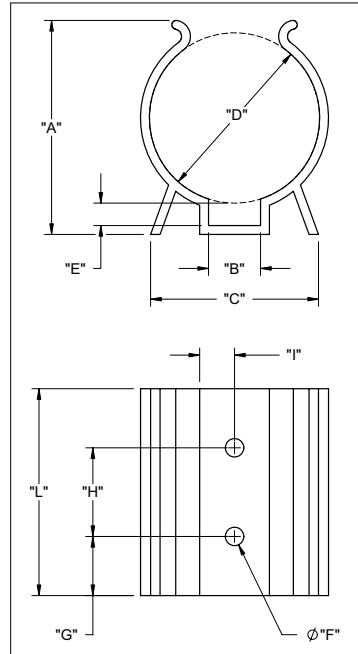
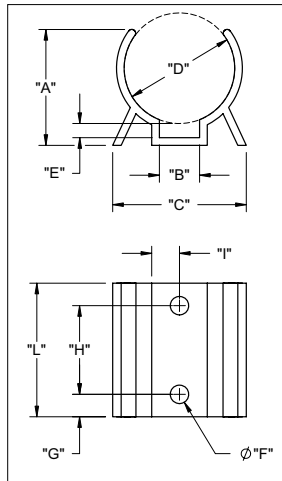
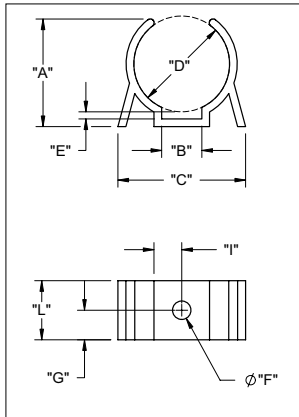
**Series LPR50**

Types „D“ from Ø38.1 to Ø69.9 mm

Dimensions in inch (mm)

Types „D“ from Ø6.4 to Ø22.2 mm

Types „D“ from Ø25.4 to Ø34.9 mm



Article	"A" REF.	"B" REF.	"C" REF.	"D" HOLDING DIA.	"E" REF.	"F" REF.	"G" ±.020[0.5]	"H" REF.	"I" [REF.]	"L" ±.030[0.8]	WALL REF.
LPR 5000	.30 [7.5]	.19 [4.8]	.50 [12.7]	.25 [6.4]	.06 [1.5]	.094 [2.4]	.250 [6.4]	SINGLE HOLE IN CENTER	.160 [4.1]	.50 [12.7]	.040 [1.0]
LPR 5001	.36 [9.1]			.31 [7.9]							.045 [1.1]
LPR 5002	.41 [10.3]			.38 [9.5]							.045 [1.1]
LPR 5003	.45 [11.5]	.22 [5.6]	.52 [13.1]	.44 [11.1]	.06 [1.5]	.094 [2.4]	.250 [6.4]	SINGLE HOLE IN CENTER	.160 [4.1]	.50 [12.7]	.050 [1.3]
LPR 5004	.50 [12.7]			.50 [12.7]							.060 [1.5]
LPR 5005	.61 [15.5]	.25 [6.4]	.83 [21.0]	.56 [14.3]	.06 [1.5]	.094 [2.4]	.250 [6.4]	SINGLE HOLE IN CENTER	.160 [4.1]	.50 [12.7]	.060 [1.5]
LPR 5006	.63 [15.9]			.63 [15.9]							.065 [1.7]
LPR 5007	.63 [15.9]	.34 [8.6]	.84 [21.0]	.69 [17.6]	.04 [1.0]	.156 [4.0]	.250 [6.4]	SINGLE HOLE IN CENTER	.160 [4.1]	.50 [12.7]	.065 [1.7]
LPR 5008	.78 [19.8]	.36 [9.1]	.89 [22.6]	.75 [19.1]	.06 [1.5]						.235 [6.0]
LPR 5009	.91 [23.0]	.34 [8.6]	1.08 [27.4]	.88 [22.2]	.06 [1.5]	.156 [4.0]	.250 [6.4]	SINGLE HOLE IN CENTER	.160 [4.1]	.50 [12.7]	.065 [1.7]
LPR 5010	.98 [25.0]			1.13 [28.6]							1.00 [25.4]
LPR 5011	1.34 [34.1]	.41 [10.4]	1.25 [31.8]	1.38 [34.9]	.19 [4.8]	.156 [4.0]	.250 [6.4]	SINGLE HOLE IN CENTER	.160 [4.1]	.50 [12.7]	.075 [1.9]
LPR 5024	1.81 [46.0]	.44 [11.2]	1.42 [36.1]	1.50 [38.1]	.19 [4.8]						.156 [4.0]
LPR 5025	1.92 [48.8]			1.50 [38.1]		1.75 [44.5]	.22 [5.6]	.280 [7.1]	1.13 [28.5]		
LPR 5026	2.44 [61.9]	.52 [13.2]	2.61 [66.3]	2.25-2.75 [57.1-69.9]	.22 [5.6]	.156 [4.0]	.250 [6.4]	SINGLE HOLE IN CENTER	.160 [4.1]	.50 [12.7]	.093 [2.4]
					.375 [9.5]						.75 [19.1]