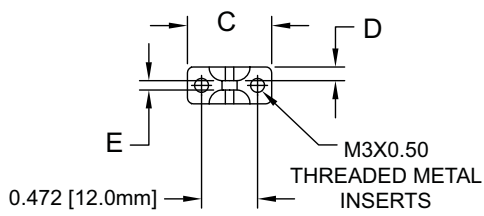
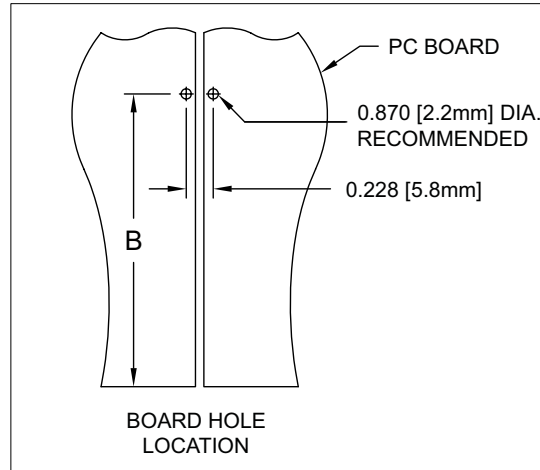
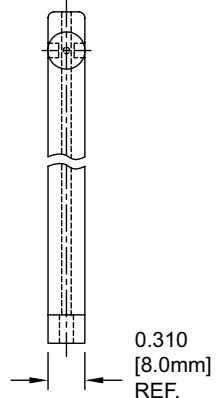
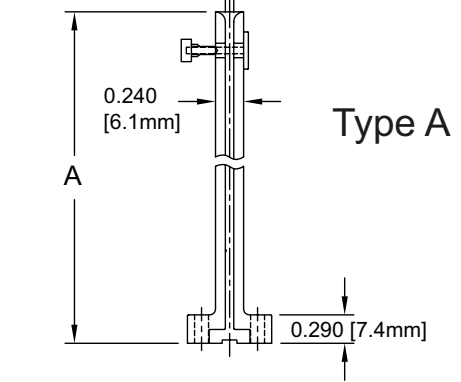
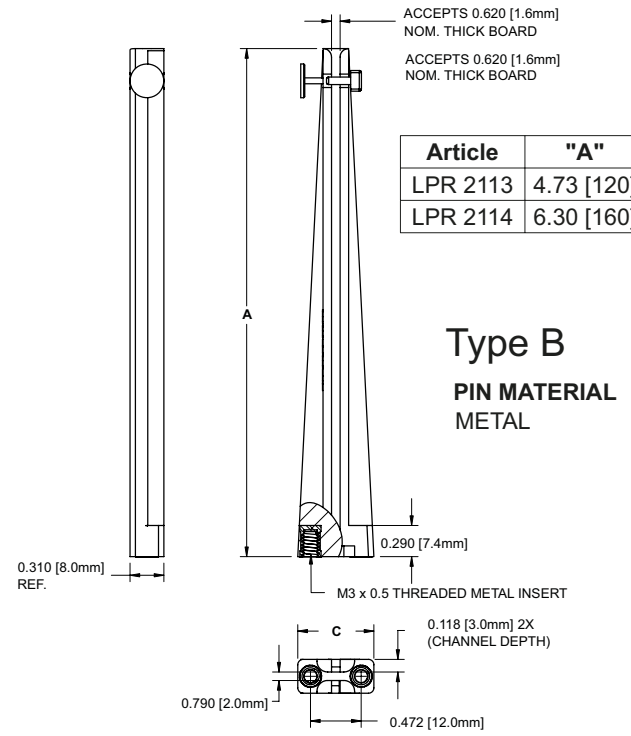


Dimensions in inch (mm)

Series LPR21 ACCEPTS 0.062 [1.6mm] NOM. BD. THKNS.



Article	"A"	"B"	"c"	"D"	"E"
LPR 2109	1.83 (46.5)	1.67 (42.3)	.71 (18)	.104 (2.6)	.105 (2.7)
LPR 2110	2.56 (65.0)	2.22 (56.5)		.118 (3.0)	.079 (2.0)
LPR 2111	3.54 (90.0)	3.21 (81.5)			
LPR 2112	5.31 (135.0)	4.98 (126.5)			
LPR 2115	6.30 (160.0)	4.43 (112.5)			
LPR 2116	4.73 (120.1)	4.43 (112.5)	.71 (18)		



Article	"A"	"B"	"C"
LPR 2113	4.73 [120]	4.43 [112.5]	.71 [18]
LPR 2114	6.30 [160]	4.43 [112.5]	.75 [19]