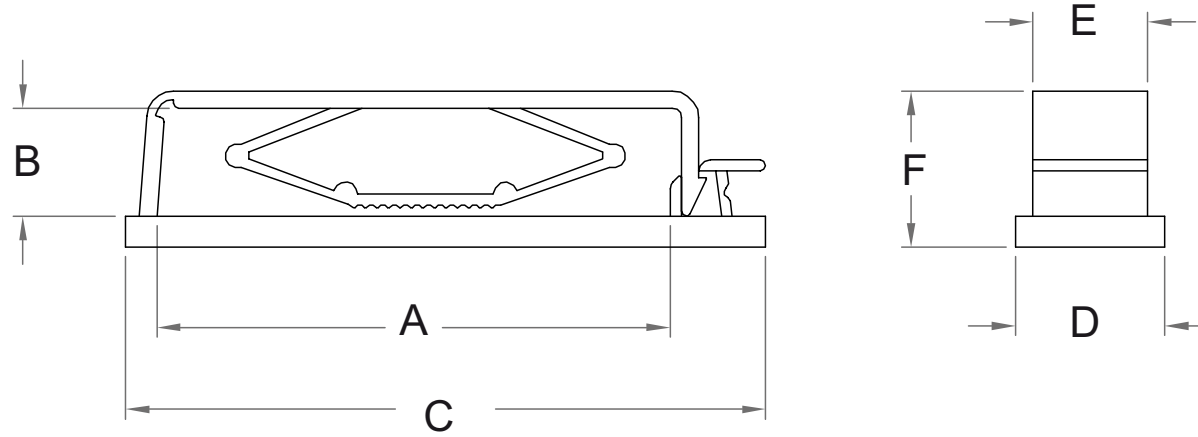


Series LPR107



Dimensions in mm

Article	A	B	C	D	E	F	For Cable
LPR 1072	31.8	11.3	45.1	18.5	16	16.3	30 PIN
LPR 1071	54	11.3	67	15.7	12	16.3	40 PIN
LPR 1073	65	11.3	78.4	18.6	15.8	16.3	50 PIN