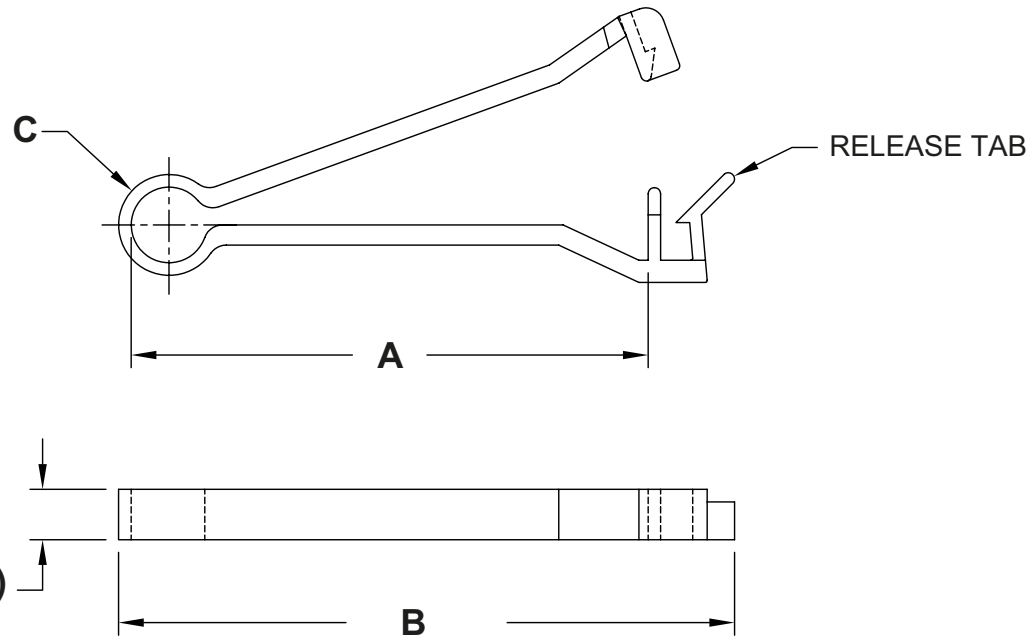


Series LPR1060

Dimensions in inch (mm)



Article	A MAX CABLE WIDTH	B REF.	C REF.
LPR 1061	1.50 (38.1)	2.00 (50.8)	.23 (5.8)
LPR 1060	2.50 (63.5)	3.00 (76.2)	.25 (6.4)

