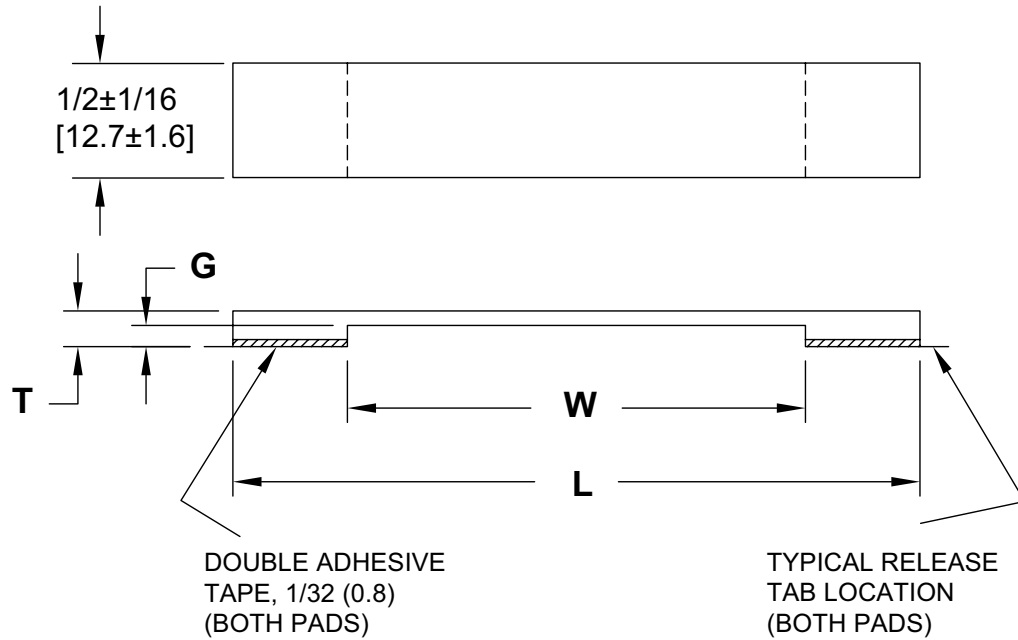


Dimensions in mm

Series LPR1



Article	L CLAMP WIDTH +1/8 (3.2) -0 (0.0)	W OPENING WIDTH +1/16 (1.6) -0 (0.0)	T CLAMP THICKNESS +.015 (0.4) -.010 (0.3)	G HOLDING THICKNESS +.010 (0.3) -.020 (0.5)
LPR 1005	1-1/2 (38.1)	1/2 (12.7)	5/32 (4.0)	3/32 (2.4)
LPR 1010	2.0 (50.8)	1.0 (25.4)		
LPR 1020	3.0 (76.2)	2.0 (50.8)		