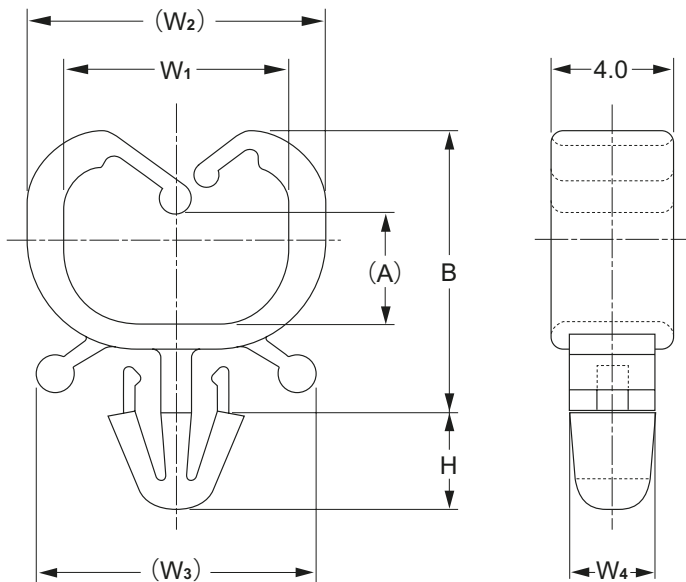


Series ESS300

Dimensions in mm



(A)	B	W1	(W2)	(W3)	W4	H	Mounting hole	Board thickness	Article
3.7	9.3	7.4	9.8	9.2	2.9	3.2	Ø3.0	0.6 ~ 1.6	ESS 300
8.1	15.0	9.4	12.0	12.2	3.4	3.0	Ø3.5	0.6 ~ 1.6	ESS 305