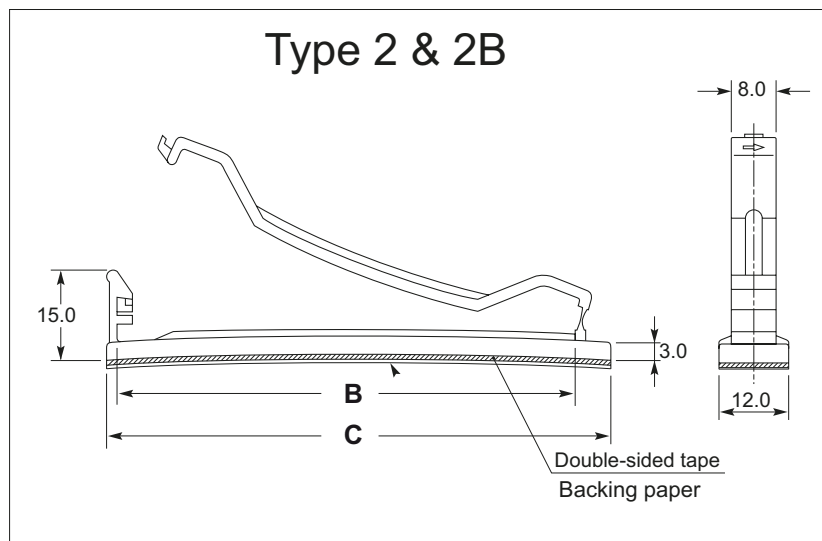
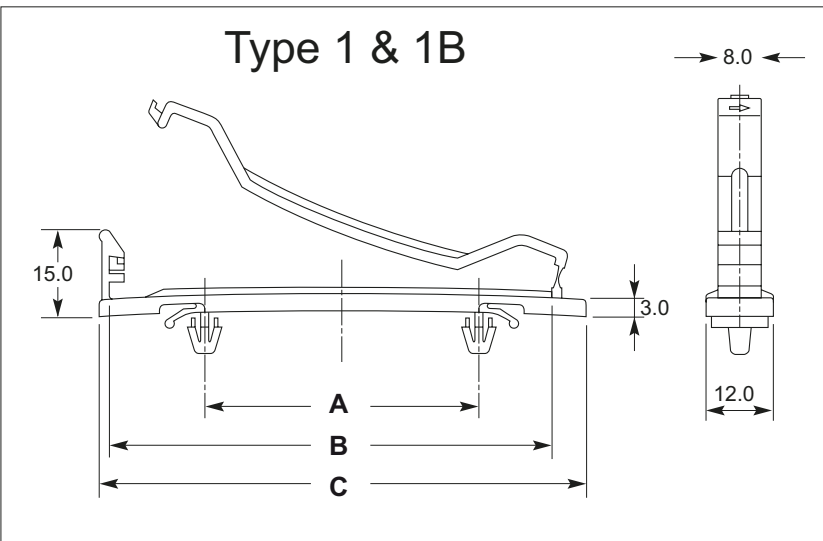


**Series ESS107**

Dimensions in mm



Applicable board thickness

0.8 ~ 2.0

Mounting hole

Ø4.8 x 2

Article	Type	A	B	C
ESS 1071-B3S	1	50.0	79.5	88.0
ESS 1070-B4S	1B	40.0	44.5	52.5
ESS 1071-B3T	2	-	79.5	88.0
ESS 1070-B4T	2B	-	44.5	52.5