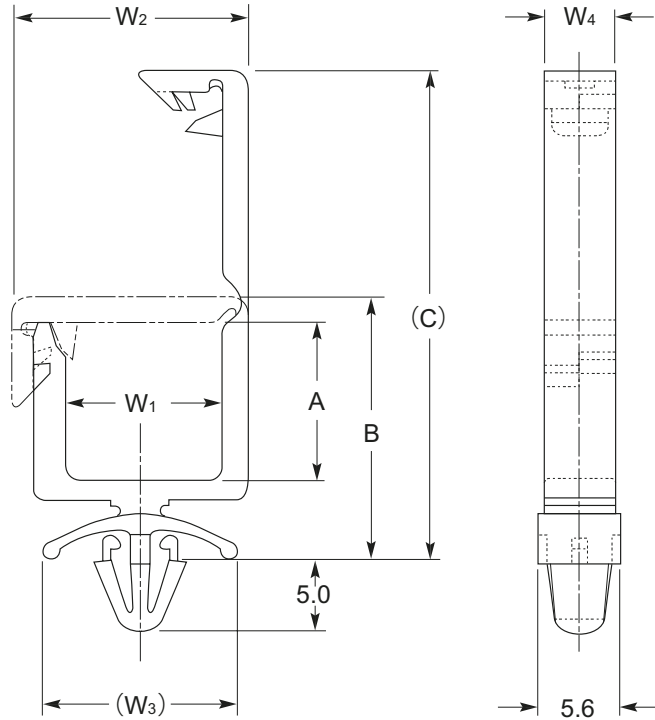


Series ESS1000



Dimensions in mm

Article	A	B	(C)	W1	W2	(W3)	W4	Mounting hole	Board thickness
ESS 1000	6.0	13.8	29.6	11.0	16.7	14.2	5.0	Ø 4.8	0.6 ~ 2.0
ESS 1001	11.1	18.8	35.4	11.4	17.3	14.2	5.0		
ESS 1002	16.4	24.8	42.5	12.9	19.0	14.2	5.5		
ESS 1003	22.5	32.1	55.3	17.5	24.5	18.2	6.0		
ESS 1004	22.5	33.3	56.5	17.5	24.5	18.2	6.0		2.0 ~ 3.2