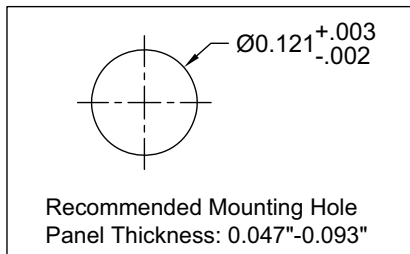
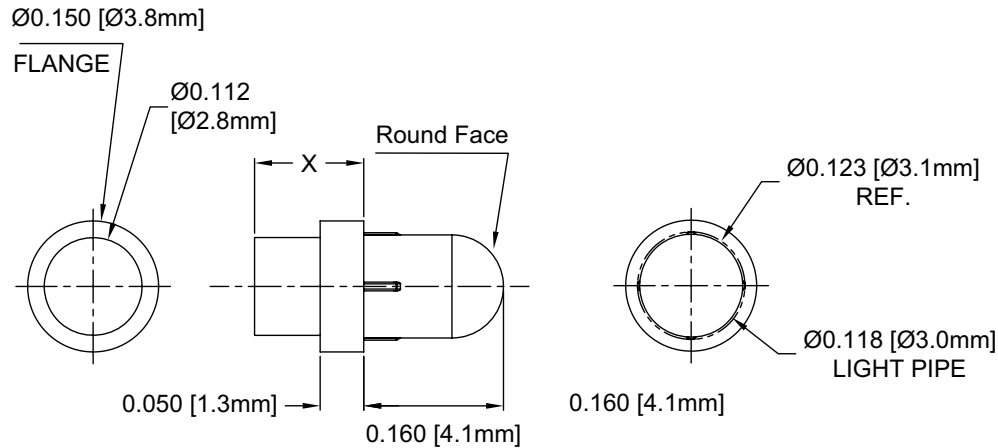


Series EPL2



X = Body Length	Article
0.125 (3.2 mm)	EPL2 3,2
0.175 (4.4 mm)	EPL2 4,4
0.188 (4.8 mm)	EPL2 4,8
0.200 (5.5 mm)	EPL2 5,5
0.250 (6.4 mm)	EPL2 6,4
0.313 (7.9 mm)	EPL2 7,9
0.350 (8.9 mm)	EPL2 8,9
0.375 (9.5 mm)	EPL2 9,5
0.460 (11.7 mm)	EPL2 11,1
0.500 (12.7 mm)	EPL2 12,7
0.625 (15.9 mm)	EPL2 15,9
0.750 (19.0 mm)	EPL2 19,0
3 mm (0.118")	EPL2 3,0
4 mm (0.157")	EPL2 4,0
5 mm (0.197")	EPL2 5,0
6 mm (0.236")	EPL2 6,0
7 mm (0.276")	EPL2 7,0
8 mm (0.315")	EPL2 8,0
9 mm (0.354")	EPL2 9,0
10 mm (0.394")	EPL2 10,0

Dimensions in inch (mm)