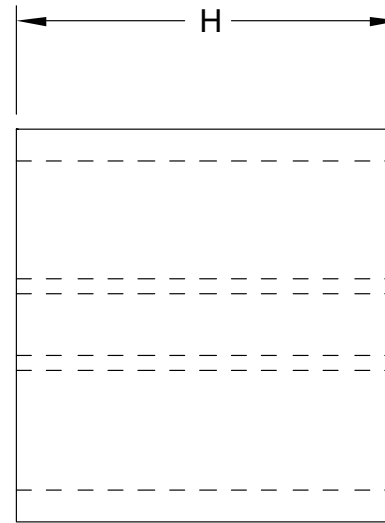
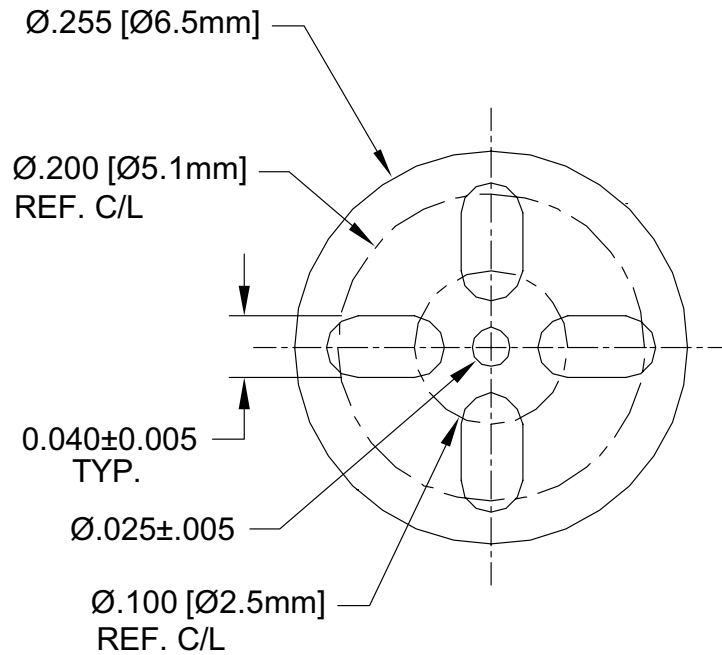


Dimensions in inch (mm)

Series ELBLU53



Article	H
ELBLU53-010	1mm
ELBLU53-020	2mm
...	...
...	...
ELBLU53-300	30mm

TOLERANCE "H" DIMENSION:
 0.030 - 0.500 (1.0 - 12.7mm) ± 0.005 (0.1mm)
 0.505 - 0.750 (12.8 - 19.1mm) ± 0.008 (0.2mm)
 0.755 - 1.250 (19.2 - 31.8mm) ± 0.015 (0.4mm)

H = each full mm from 1 to 30 mm