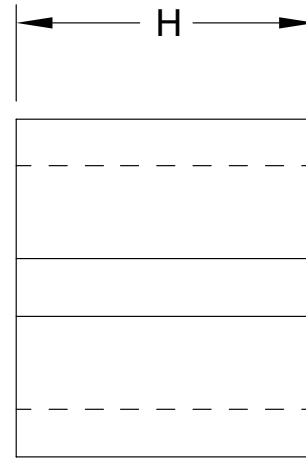
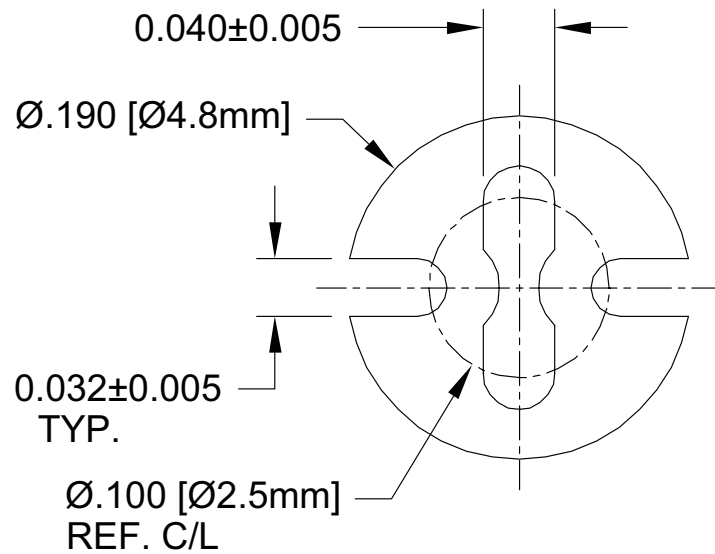


Dimensions in inch (mm)

Series ELBLU30



H = each full mm from 1 to 30 mm

Article	H
ELBLU30 010	1mm
ELBLU30 020	2mm
...	...
...	...
ELBLU30 300	30mm

TOLERANCE "H" DIMENSION:
 0.030 - 0.500 (1.0 - 12.7mm)±0.005(0.1mm)
 0.505 - 0.750 (12.8 - 19.1mm)±0.008(0.2mm)
 0.755 - 1.250 (19.2 - 31.8mm)±0.015(0.4mm)