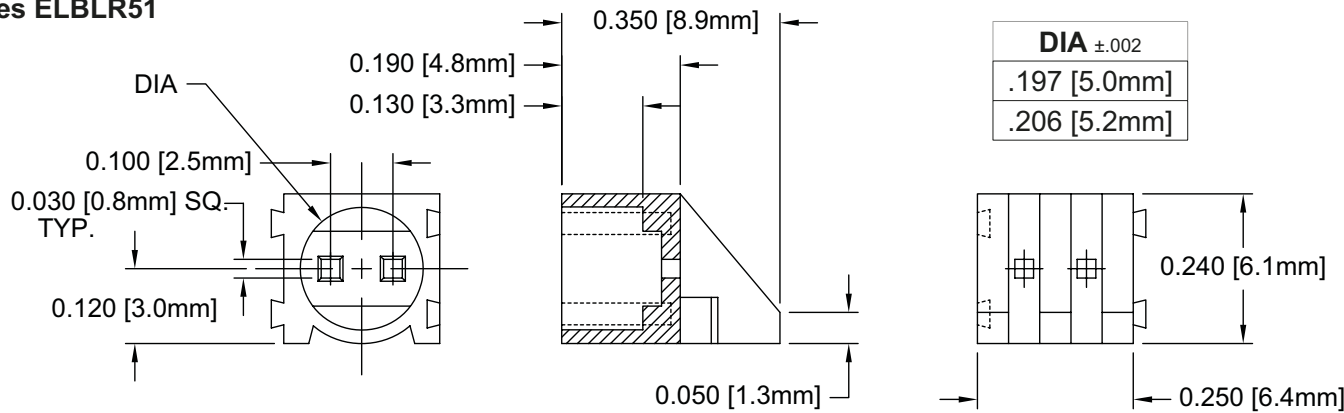
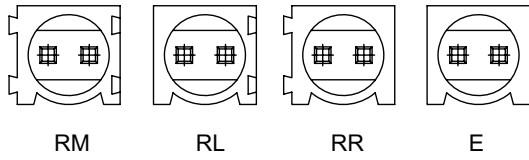
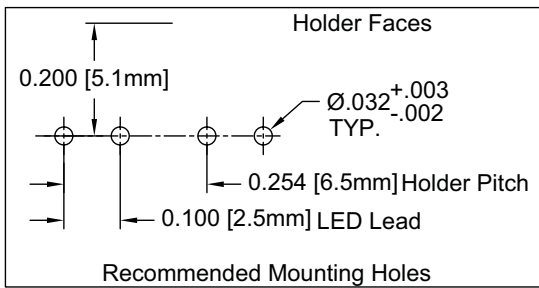


Dimensions in inch (mm)

Series ELBLR51



DIA ±.002
.197 [5.0mm]
.206 [5.2mm]



Article	TYPE	DIA
ELB LR-51E	E	.197 [5.0mm]
ELB LR-51RL	RL	.197 [5.0mm]
ELB LR-51RM	RM	.197 [5.0mm]
ELB LR-51RR	RR	.197 [5.0mm]
ELB LR-51C-E	E	.206 [5.2mm]
ELB LR-51C-RL	RL	.206 [5.2mm]
ELB LR-51C-RM	RM	.206 [5.2mm]
ELB LR-51C-RR	RR	.206 [5.2mm]