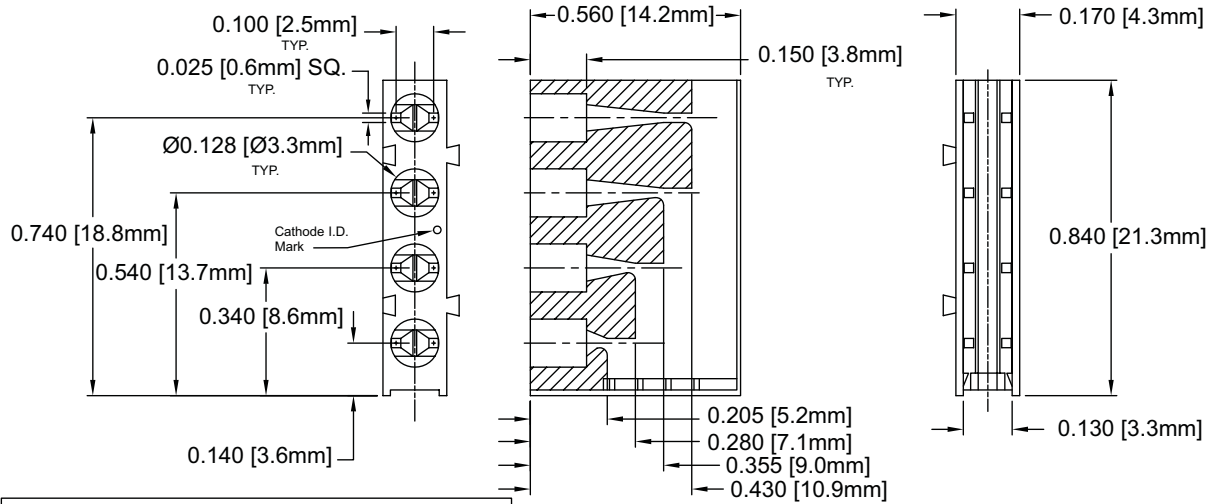
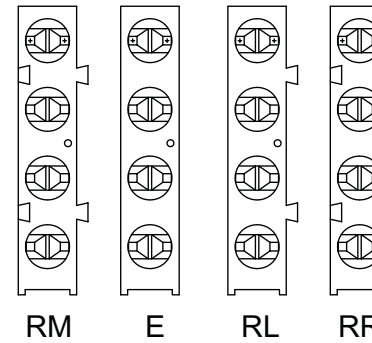


Dimensions in inch (mm)



**Series ELBLR34**



Article	TYPE	DIA
ELB LR-34E	E	.128 [3.3mm]
ELB LR-34RL	RL	.128 [3.3mm]
ELB LR-34RM	RM	.128 [3.3mm]
ELB LR-34RR	RR	.128 [3.3mm]

