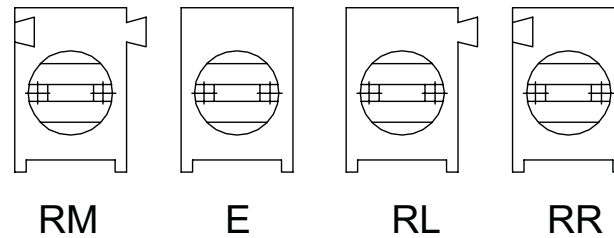
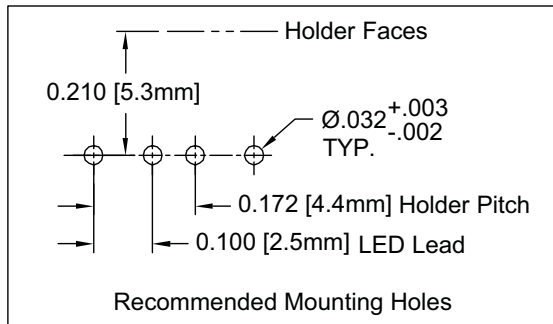
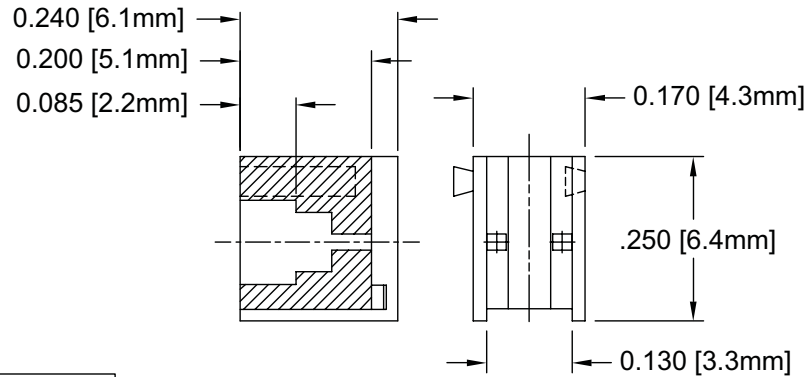
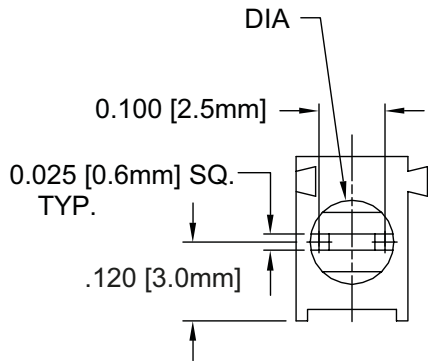


Dimensions in inch (mm)

**Series ELBLR31C**



Article	TYPE	DIA
ELB LR31C1-E	E	.128 [3.3mm]
ELB LR31C1-RL	RL	.128 [3.3mm]
ELB LR31C1-RM	RM	.128 [3.3mm]
ELB LR31C1-RR	RR	.128 [3.3mm]
ELB LR31C2-E	E	.150 [3.8mm]
ELB LR31C2-RL	RL	.150 [3.8mm]
ELB LR31C2-RM	RM	.150 [3.8mm]
ELB LR31C2-RR	RR	.150 [3.8mm]