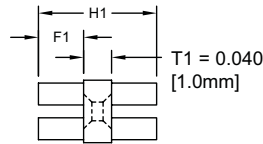
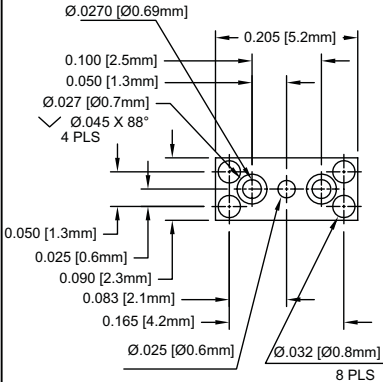


TYPE 1



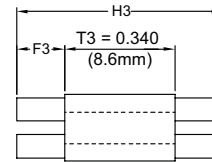
H1	F1
.060 (1.5mm)	0.010 (.25mm)
.070 (1.8mm)	0.015 (.38mm)
.080 (2.0mm)	0.020 (.51mm)
.090 (2.3mm)	0.025 (.64mm)
.100 (2.5mm)	0.030 (.76mm)
.110 (2.8mm)	0.035 (.89mm)
.120 (3.0mm)	0.040 (1.0mm)
.130 (3.3mm)	0.045 (1.1mm)
.140 (3.6mm)	0.050 (1.3mm)
.150 (3.8mm)	0.055 (1.4mm)
.160 (4.1mm)	0.060 (1.5mm)
.170 (4.3mm)	0.065 (1.7mm)
.180 (4.6mm)	0.070 (1.8mm)
.190 (4.8mm)	0.075 (1.9mm)
.200 (5.1mm)	0.080 (2.0mm)
.210 (5.3mm)	0.085 (2.2mm)



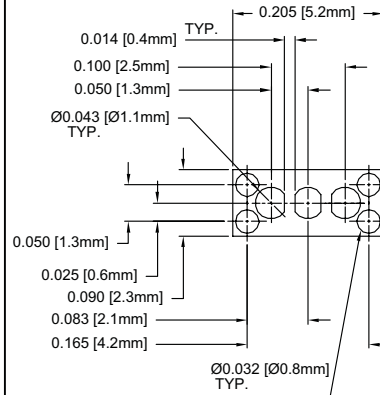
Series ELBLR

Dimensions in inch (mm)

TYPE 3

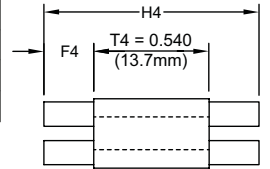


H3	F3
.360 (9.1mm)	0.010 (.25mm)
.380 (9.7mm)	0.020 (.51mm)
.400 (10.2mm)	0.030 (.76mm)
.420 (10.7mm)	0.040 (1.0mm)
.440 (11.2mm)	0.050 (1.3mm)
.460 (11.7mm)	0.060 (1.5mm)
.480 (12.2mm)	0.070 (1.8mm)
.500 (12.7mm)	0.080 (2.0mm)
.520 (13.2mm)	0.090 (2.3mm)
.540 (13.7mm)	0.100 (2.5mm)



Order Example

Article	TYPE	H = Height
ELB LR-10-15	1 (=10)	1.5mm (=15)
ELB LR-30-122	3 (=30)	12.2mm (=122)
ELB LR-40-152	4 (=40)	15.2mm (=152)
ELB LR-40-188	4 (=40)	18.8mm (=188)



TYPE 4

H4	F4
.560 (14.2mm)	0.010 (.25mm)
.580 (14.7mm)	0.020 (.51mm)
.600 (15.2mm)	0.030 (.76mm)
.620 (15.7mm)	0.040 (1.0mm)
.640 (16.3mm)	0.050 (1.3mm)
.660 (16.8mm)	0.060 (1.5mm)
.680 (17.3mm)	0.070 (1.8mm)
.700 (17.8mm)	0.080 (2.0mm)
.720 (18.3mm)	0.090 (2.3mm)
.740 (18.5mm)	0.100 (2.5mm)
.760 (19.3mm)	0.110 (2.8mm)

