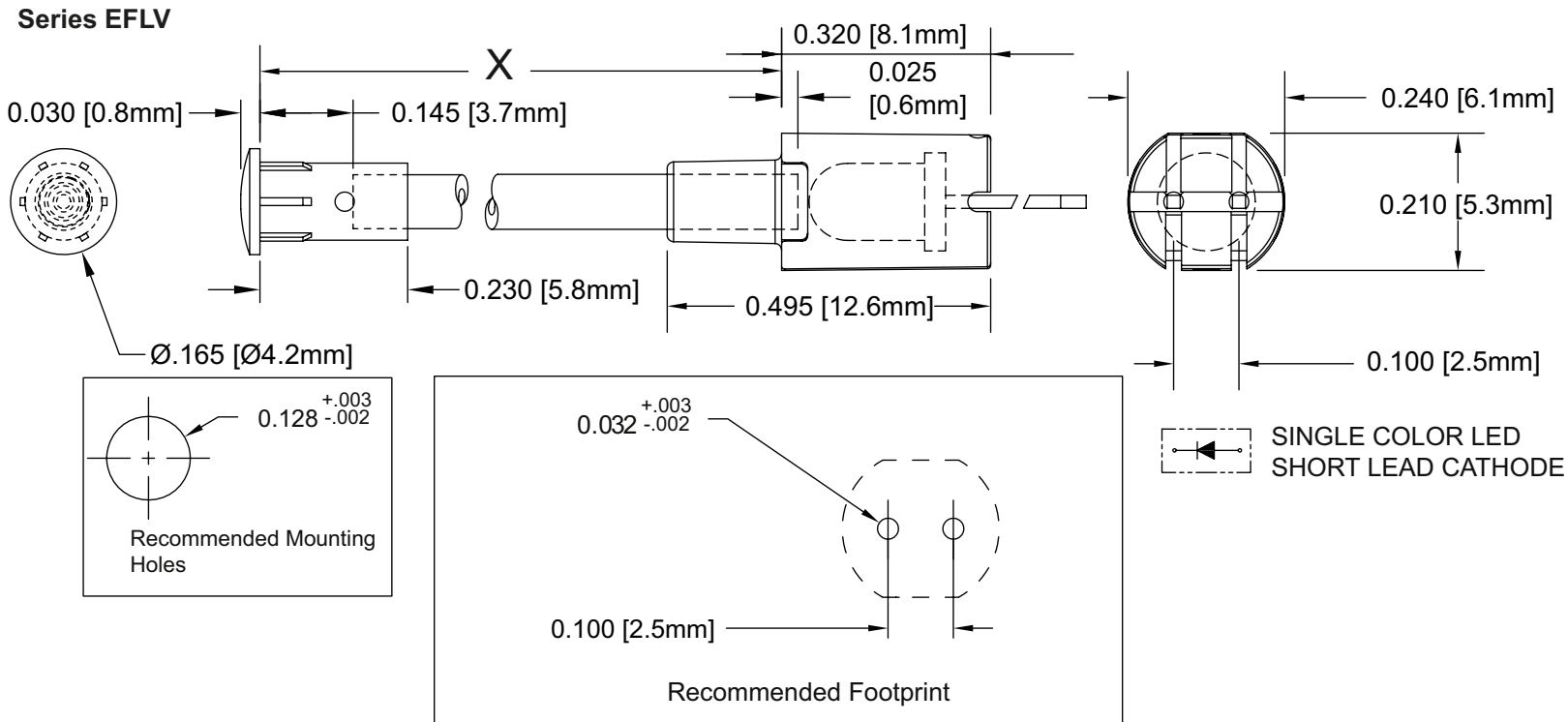


Dimensions in inch (mm)



Standard Lengths		
Article	L	±
EFLV 63,5	2.5 (63.5)	0.05 (1.3)
EFLV 76,2	3 (76.2)	0.05 (1.3)
EFLV 152,4	6 (152.4)	0.05 (1.3)
EFLV 228,6	9 (228.6)	0.05 (1.3)
EFLV 304,8	12 (304.8)	0.05 (1.3)
EFLV 457,2	18 (457.2)	0.15 (4)
EFLV 914,4	36 (914.4)	0.15 (4)