

Data Sheet for Precision Potentiometer

Multiturn Wirewound Potentiometer

Series AC



The robust AC potentiometers in 20 mm housing are suitable for applications where a precise multiturn potentiometer is important.

- Economical and precise multiturn sensor with numerous options
- Completely encapsulated housing with 2 x sleeve bearings
- With many options e.g. limit switch, slipping clutch

The sintered bearing in the back cover gives the shaft improved stability. The completely encapsulated housing increases the robustness in addition. The potentiometer is available in 5 or 10 turn version.

Electrical Data	5-turn	10-turn
Effective electrical angle of rotation 1.)	1800° ±5°	3600° ±5°
Total resistance 1.)	0.1..100 kOhm	0.2..150 kOhm
Resistance tolerance	±3% (±1%)	
Independent linearity (best straight line) 1.)	±0.2%	±0.2% (±0.1% @ R ≥ 5k)
Theoretical resolution 1.)	Depends on resistance value (see table below)	
Backlash (Hysteresis) 1.)	≤ 2°	
Rotational noise (ENR) 1.) (Method C)	100 Ohm	
Max. / recommended wiper current 1.)	35 mA / 2 µA	
Power rating @ 70°C (0W @ 105°C)	1 W	2 W
Insulation Voltage 1.)	1000 VAC, 1min	
Insulation Resistance 1.)	1000 MOhm @ 500 VDC	

Mechanical Data, Environmental Conditions, Miscellaneous	5-turn	10-turn
Mechanical angle of rotation 1.)	1800° +10°	3600° +10°
Lifetime (90% el. eff. angle half sine) 2.)	1 Mio. rotations	2 Mio. rotations
Max. operational speed	40 rev. / min.	
Bearing	2 x sleeve bearing	
Operational torque @ ambient temperature 1.) 2.)	5 Nmm	
End stop torque 1.) 2.)	90 Ncm	
Operating temperature range	-55 °C up to +105 °C	
Storage temperature range	-55 °C up to +105 °C	
Protection grade (IEC 60529)	IP40	
Protection option D shaft sealing (IEC 60529)	IP65 optional	
Vibration (IEC 68-2-6, Test Fc)	15g 10Hz up to 2000Hz x 12h	
Shock (IEC 68-2-27, Test Ea)	49g @ 11 ms x 18	
Housing diameter	20 mm	
Housing depth	18 mm	25.5 mm
Shaft diameter	6.35 mm	
Shaft type	Solid shaft	

Data Sheet for Precision Potentiometer

Multiturn Wirewound Potentiometer

Series AC

Mechanical Data, Environmental Conditions, Miscellaneous	5-turn	10-turn
Max. radial load	≤1 N	
Max. axial load	≤1 N	
Connection type	Gold plated soldering lugs	
Connection position	Radial	
Sensor mounting	Bushing	
Mass	app. 20 g	app. 25 g
Fastening parts included in delivery	Nut, toothed washer	
Fastening torque mounting nut	< 150 Ncm	
Material shaft	Stainless steel	
Material housing	Reinforced fibreglass PA66	

1.) According IEC 60393

2.) Determined by climatic conditions according to IEC 68-1, para. 5.3.1 without load collectives

Please note: Max. permissible supply voltage <75 VDC respectively <50 VAC in addition the max. power rating must be observed

Number of wire turns / resolution														
Resistance value Ohm	10	20	50	100	200	500	1k	2k	5k	10k	20k	50k	100k	150k
Number of wire turns (AC5)	980	1220	980	1100	1500	2000	2500	2400	3200	3900	4800	5500	6500	-
Number of wire turns (AC10)	-	1850	2550	1800	2200	3200	4000	5000	5000	6400	7800	10000	11000	N/A

Resolution in degree E.g. R5k 5-turn = $1800^\circ / 3200 = 0,563^\circ$ per winding resistive wire

Data Sheet for Precision Potentiometer

Multiturn Wirewound Potentiometer

Series AC

Order code

Description	Selection: standard=black/bold , possible <i>options=grey/italic</i>									
Series	AC									
Revolutions with stop:										
5-turn		5								
10-turn		10								
Resistance value / Option Tandem:				<i>Tandem</i>						
<i>Option 10 Ohm (only 5 Turn)</i>			<i>R10</i>	<i>/10</i>						
<i>Option 20 Ohm</i>			<i>R20</i>	<i>/20</i>						
<i>Option 50 Ohm</i>			<i>R50</i>	<i>/50</i>						
<i>Option 100 Ohm</i>			<i>R100</i>	<i>/100</i>						
<i>Option 200 Ohm</i>			<i>R200</i>	<i>/200</i>						
<i>Option 500 Ohm</i>			<i>R500</i>	<i>/500</i>						
1 kOhm			R1k	<i>/1k</i>						
<i>Option 2 kOhm</i>			<i>R2k</i>	<i>/2k</i>						
5 kOhm			R5k	<i>/5K</i>						
10 kOhm			R10k	<i>/10k</i>						
<i>Option 20 kOhm</i>			<i>R20k</i>	<i>/20k</i>						
<i>Option 50 kOhm</i>			<i>R50k</i>	<i>/50k</i>						
<i>Option 100 kOhm</i>			<i>R100k</i>	<i>/100k</i>						
<i>Option 150 kOhm (only 10 Turn)</i>			<i>R150k</i>	<i>/150k</i>						
<i>Option rear shaft:</i>										
<i>Standard Ø2 x 10 mm</i>					<i>RA</i>					
<i>Shaft length in mm</i>					<i>RAxx,xx</i>					
<i>Shaft diameter in mm (≤2 mm)</i>					<i>RADMx,xx</i>					
Resistance tolerance:										
±3%								W3%		
<i>Option ±1%</i>								<i>W1%</i>		
Independent linearity:										
±0,2%									L0,2%	
<i>Option ±0,1% (nur 10-turn @R ≥ 5k)</i>									<i>L0,1%</i>	
<i>Option center tap:</i>									<i>CT</i>	
Front shaft:										
Standard Ø6,35 x 20,6 mm										
<i>Option shaft length in mm</i>									<i>Ax,xx</i>	
<i>Option shaft diameter in mm (≤6,35 mm)</i>									<i>DMx,xx</i>	
<i>Option screwdriver slot:</i>										<i>B</i>
<i>Option limit switch - on request:</i>										
<i>Type CW+CCW ("n"=number Turns)</i>										<i>LS"n"202</i>
<i>Type CCW ("n"=number Turns)</i>										<i>LS"n"201</i>
<i>Type CW ("n"=number Turns)</i>										<i>LS"n"203</i>
Shaft sealing:										
Standard is without sealing										-
<i>Option D with shaft sealing</i>										<i>D</i>

For higher quantities or on-going demand, additional options are available as described below on request

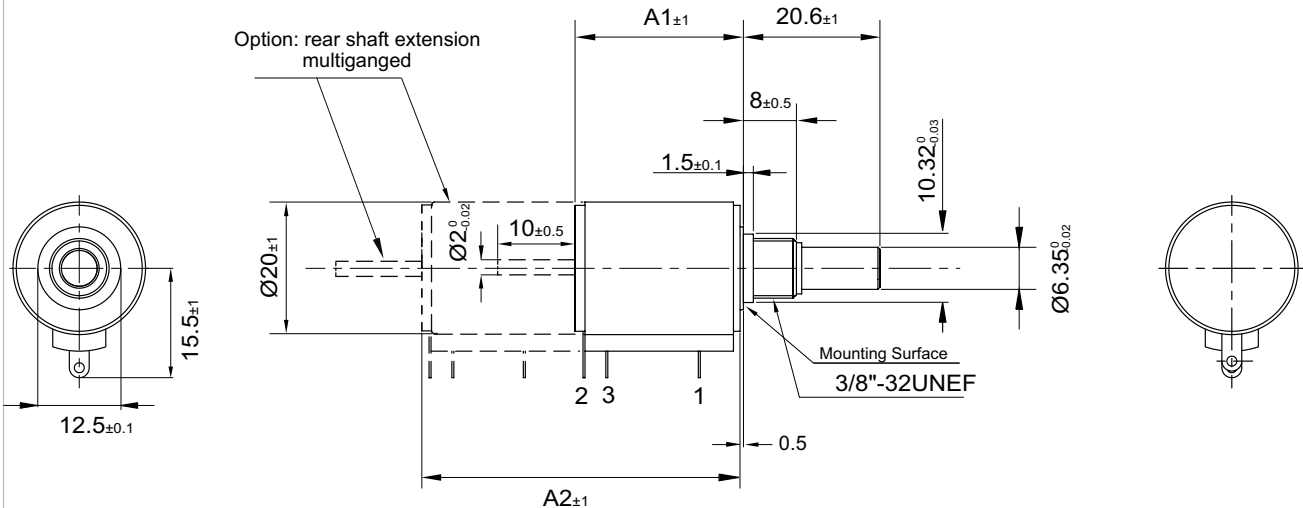
For Example: Slipping clutch, 3-turn version, multi ganged potentiometers (max. 2), sealed housing case, special electrical and mechanical angles of rotation, and special resistance and linearity tolerances. Furthermore we can mount gear wheels or attach cable assemblies with or without connectors and much more.

Data Sheet for Precision Potentiometer

Multiturn Wirewound Potentiometer

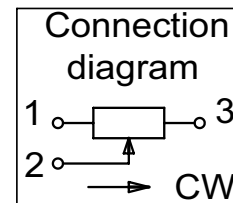
Series AC

Drawing

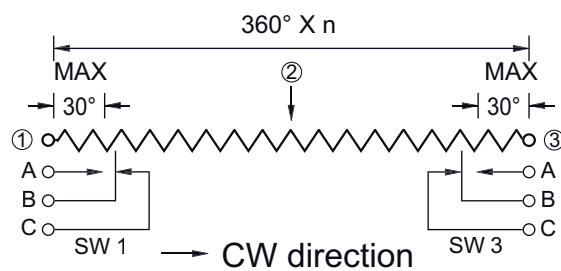
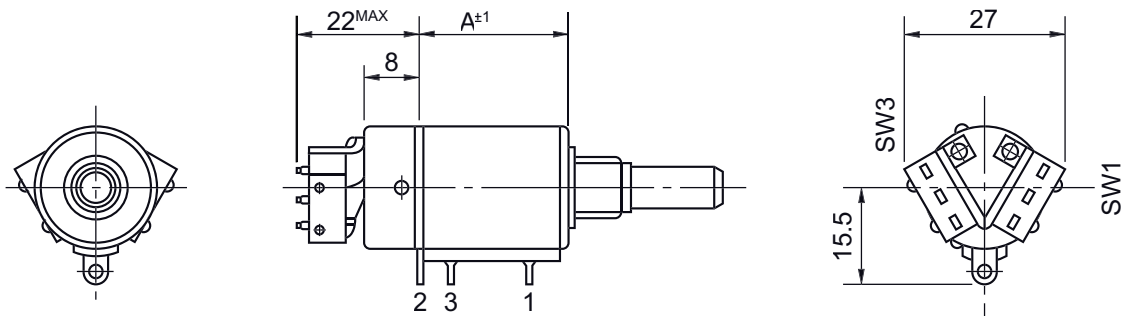


Dimensions	AC5	AC10
A1	18	25.5
A2	38	53

Dimensions in mm



Option: limit switch



- Unless otherwise specified, the limit-switch is of inscription type on both ends.
- Rating of limit-switch 1A, 125V.A.C. (resistance load)
 - Life expectancy of limit-switch: 50000 operations
 - Operating temperature range: -55 °C..+105 °C

On Request: Special machining on shaft

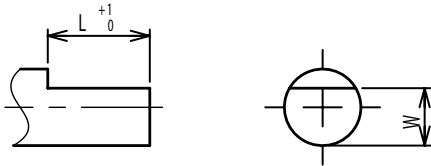
Slot



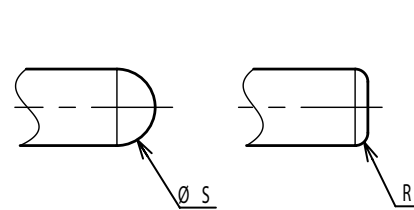
Groove



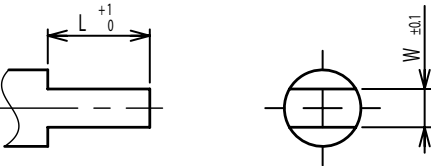
Flat



Round top



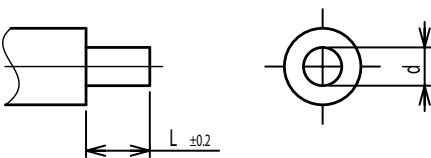
Double side flat



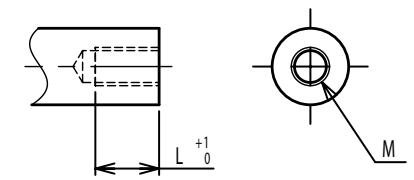
Counterbore hole



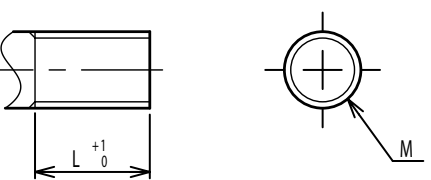
Step



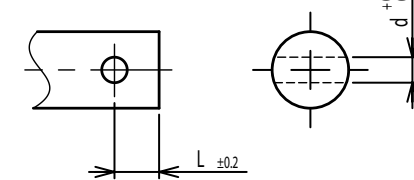
Counterbore screw hole



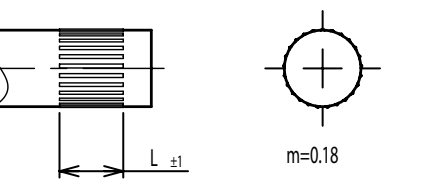
Screw Thread



Pin hole



Knurled(Parallel)



Screw thread inside hole

