

Data sheet for Load Cells

S-Beam Load Cells

Series KM1506



- Strain gauge principle
- Stainless steel
- Force transmission via M10-thread for 2kN..20kN
- Protection grade IP65
- Easy to install, stable and reliable

Series KM1506 force transducer is a all-purpose S-beam load cell. Suitable for batching systems, package systems, etc.

Data Load Cell

Rated force	2kN, 5kN, 10kN, 15kN, 20kN
Rated characteristic value	2,0 mV/V of rated output
Relative error of characteristic value	≤ 1 % of rated output
Relative repeatability error	≤ 0,05 % of rated output
Relative reversibility error	≤ 0,05 % of rated output
Relative linearity error	≤ 0,05 % of rated output
Relative deviation of zero signal	≤ 0,1 % of rated output
Rated displacement	≤ 0,2 mm @2kN..5 kN / ≤ 0,3 mm @10kN / ≤ 0,6 mm @15kN..20kN
Input resistance	387 ±20 Ω
Output resistance	350 ±3 Ω
Insulation resistance	≥ 5 GΩ @ 50 VDC
Maximum operating force	≤ 200 % of rated force
Rated range of excitation voltage	10 V DC / AC
Operating range of excitation voltage	≤ 15 V DC / AC
Rated temperature range	-10 °C..+40 °C
Operating temperature range	-10 °C..+70 °C
Protection	IP65
Temperature effect on characteristic value	≤ 0,02 % of output / 10 K
Temperature effect on zero signal	≤ 0,02 % of rated output / 10 K
Creep under load	≤ 0,05 % of rated output
Cable dimension	4 x AWG26, Ø4,6 mm, shielded
Cable length from body	ca. 2 m
Body material	Stainless steel
Mass	ca. 270g

Terms according to guideline VDI / VDE / DKD 2638

Data sheet for Load Cells

S-Beam Load Cells

Series KM1506

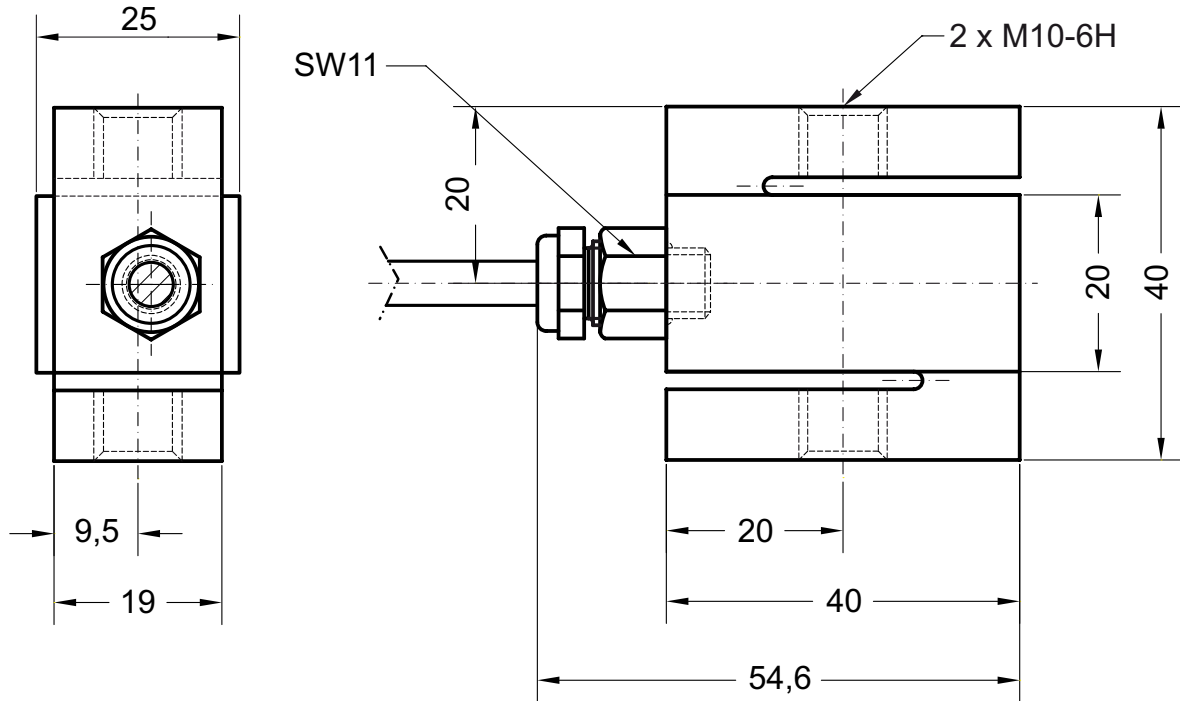
Order code

Description	Selection: standard=black/bold , possible <i>options=grey/italic</i>		
Series:	KM1506		
Connecting cable: Cable length 2 m		K	
Rated force:			
2 kN			2kN
5 kN			5kN
10 kN			10kN
15 kN			15kN
20 kN			20kN

Accessories (not included in delivery)

Measuring amplifier	IMA2 DMS
---------------------	----------

Drawing



Dimensions in mm

Cable assignment

For tension:

Brown: +input
 Yellow: -input
 Green: +output
 White: -output

For pressure:

Brown: +input
 Yellow: -input
 Green: -output
 White: +output

Connection diagram tension

