

Data Sheet for Joysticks

Finger Joystick

Series 830



- 2 axes (special versions with 3 Axes upon request)
- Spring return to center position or friction hold
- Customer-specific handles and sensors upon request
- Angle-dependent actuation of Microswitches

The 830 series can be configured to different applications by choosing between different sensors and handle designs. Due to the robust, at the same time smart construction the series is very cost-effective.

Technical Data of Joystick base

Mechanical Angle of Movement X-, Y-Axes	$\pm 29^\circ$ from center
Return to Center Accuracy	$\pm 1^\circ$
Operating Force X- and Y-axis	1,6 N
Expected Life	ca. 2 Mio. cycles
Operating Temperature	$-40^\circ\text{C}..+70^\circ\text{C}$
Protection Class	IP54 (with boot)
Panel Thickness	max. 2,5 mm

Technical Data of Standard Poti Type M (other sensors on request)

Sensor	Conductive Plastics Potentiometer
Resistance / -tolerance	5 kOhm / $\pm 15\%$
Independent Linearity	$\pm 1,5\%$ FS
Electrical rotation angle	$54^\circ \pm 6^\circ$
Max. Current	1 mA
Max. Voltage	30 VDC
Power Rating at $+40^\circ\text{C}$	0,15 W

Data Sheet for Joysticks

Finger Joystick

Series 830

Order Description

Series	830						
Axes							
2 Axes		2					
2 Axes with Pushbutton (*)		3 (*)					
1 Axis		1 (*)					
1 Axis with Pushbutton (*)		6 (*)					
3 Axes		4 (*)					
3 Axes with Pushbutton (*)		5 (*)					
Rubber Boot with rectangular Bezel			5				
Rubber Boot with stainless steel Bezel			6				
Flat Rubber Boot and Bezel			K				
No Rubber Boot			0 (*)				
Spring Return				1			
Friction Hold (*)				2 (*)			
Cylindrical Handle (Duroplast)					B		
Without Trimm						1	
Potentiometer Type M							M

(*) upon request

For higher quantities or on-going demand, additional options are available

For example:

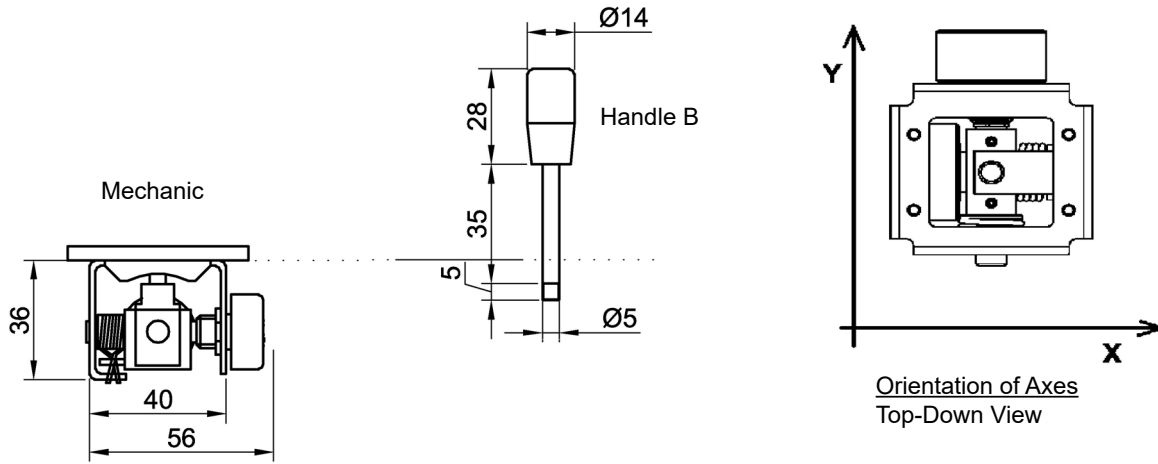
- Further handle variants, e.g. with integrated pushbutton or third axis functionality
- Angle-dependent Actuation of Microswitches
- Potentiometer with different characteristics

Data Sheet for Joysticks

Finger Joystick

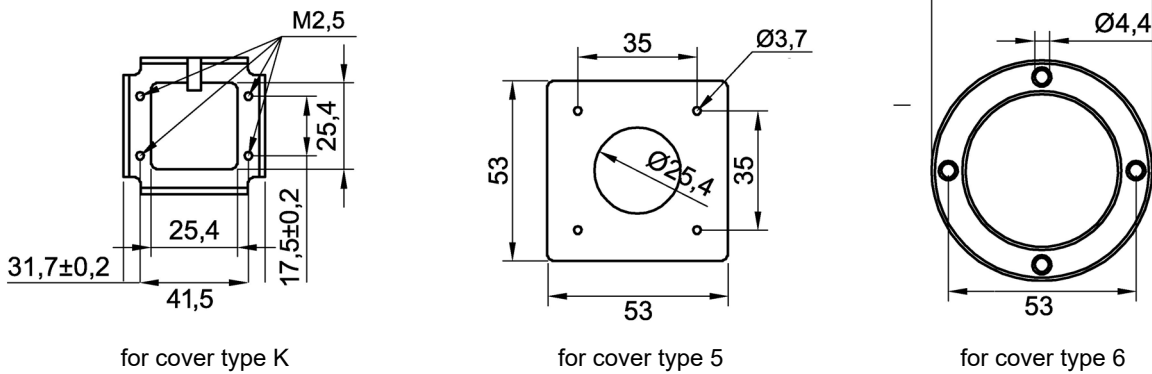
Series 830

Technical Drawings



Orientation of Axes
Top-Down View

Panel Cut-Out & Mounting Holes



for cover type K

for cover type 5

for cover type 6

Dimensions in mm

Covers & Bezels



Cover Type K



Cover Type 5 black



Cover Type 6 chrome-plated

Data Sheet for Joysticks

Finger Joystick

Series 830

Further Handle Variants (upon request)

<p>MATERIAL FINISH STANDARD COLOR OTHER COLORS</p>	<p>Nylon Sparked Matt Black n.a.</p>	<p>Aluminium Anodised Black n.a.</p>	<p>Nylon Sparked Matt Black Upon Request</p>	<p>Stainless Steel Natural Stainless Steel n.a.</p>
<p>MATERIAL FINISH STANDARD COLOR OTHER COLORS NOTES</p>	<p>ABS Sparked Matt Black Upon Request Pushbutton</p>	<p>ABS Sparked Matt Black n.a. Pushbutton</p>	<p>Nylon Sparked Matt Black n.a.</p>	<p>Aluminium Anodised Black n.a. Third Axis</p>
<p>MATERIAL FINISH STANDARD COLOR OTHER COLORS NOTES</p>	<p>ABS Sparked Matt Black Upon Request 2 Pushbuttons</p>	<p>Aluminium Anodised Black n.a. Third Axis</p>	<p>Stainless Steel Polished Stainless Steel n.a.</p>	<p>Aluminium Anodised Black n.a. Pushbutton</p>

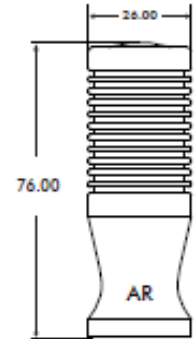
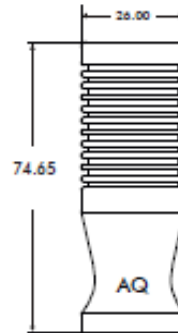
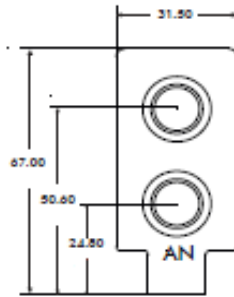
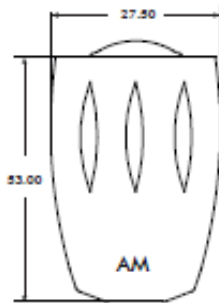
Dimensions in mm

Data Sheet for Joysticks

Finger Joystick

Series 830

Further Handle Variants (upon request)



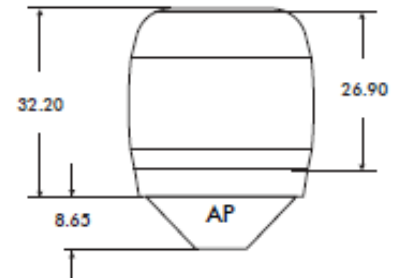
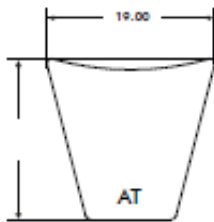
MATERIAL
FINISH
STANDARD COLOR
OTHER COLORS
NOTES

Aluminium
Anodised
Black
Upon Request
Pushbutton

Delrin
Gloss
Black
n.a.
Pushbuttons

Aluminium
Anodised
Black
n.a.

Aluminium
Anodised
Black
n.a.
Pushbutton



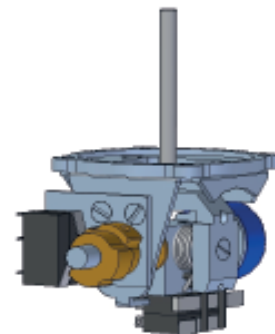
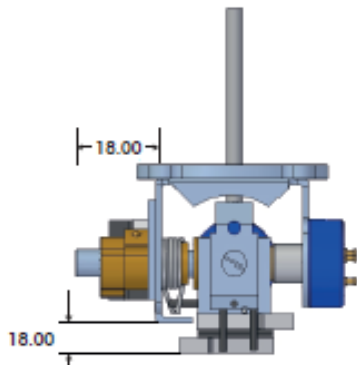
MATERIAL
FINISH
STANDARD COLOR
OTHER COLORS
NOTES

Nylon
Sparked Matt
Black
Upon Request

Stainless Steel
Polished
Stainless Steel
n.a.

Santoprene over Nylon
Soft Touch
Black
Upon Request
Third Axis

2 or 4 Microswitches (upon request)



Dimensions in mm